

STALWART

Inverted Metallurgical Microscope STM-6005 Series



STM-6005/D

Introduction

STM-6005 series inverted metallurgical microscopes adopt professional metallurgical objective and plan eyepiece to provide superior image, high resolution and comfortable observation. They combine bright field, dark field and polarizing observation. They are widely used in teaching and research of metallographic analysis, semiconductor silicon wafer inspection, geology mineral analysis, precision engineering and similar fields

Features

- Dark field objectives are available, make observation in dark & bright field.
- Wide view field eyepiece, view field up to 22mm for comfortable observation.



- 12V/50W Halogen lamp provide high intensity illumination, can detect the details better.
- High quality bright field, bright field&dark field metallurgical objective.



Metallurgical LWD Infinite Plan Objectives



Metallurgical LWD Infinite Plan Objectives for Bright & Dark Field

- Large size (210 mm×180mm) three-layer working stage, more choice for samples.
- Light distribution (both): 100 : 0 (100% for eyepiece); 80 : 20 (80% for trinocular head and 20% for eyepiece), easy to use camera and have high definition and high resolution images.



- Polarizing set is standard.
1. Wide view field eyepiece, view field up to 22mm for comfortable observation.



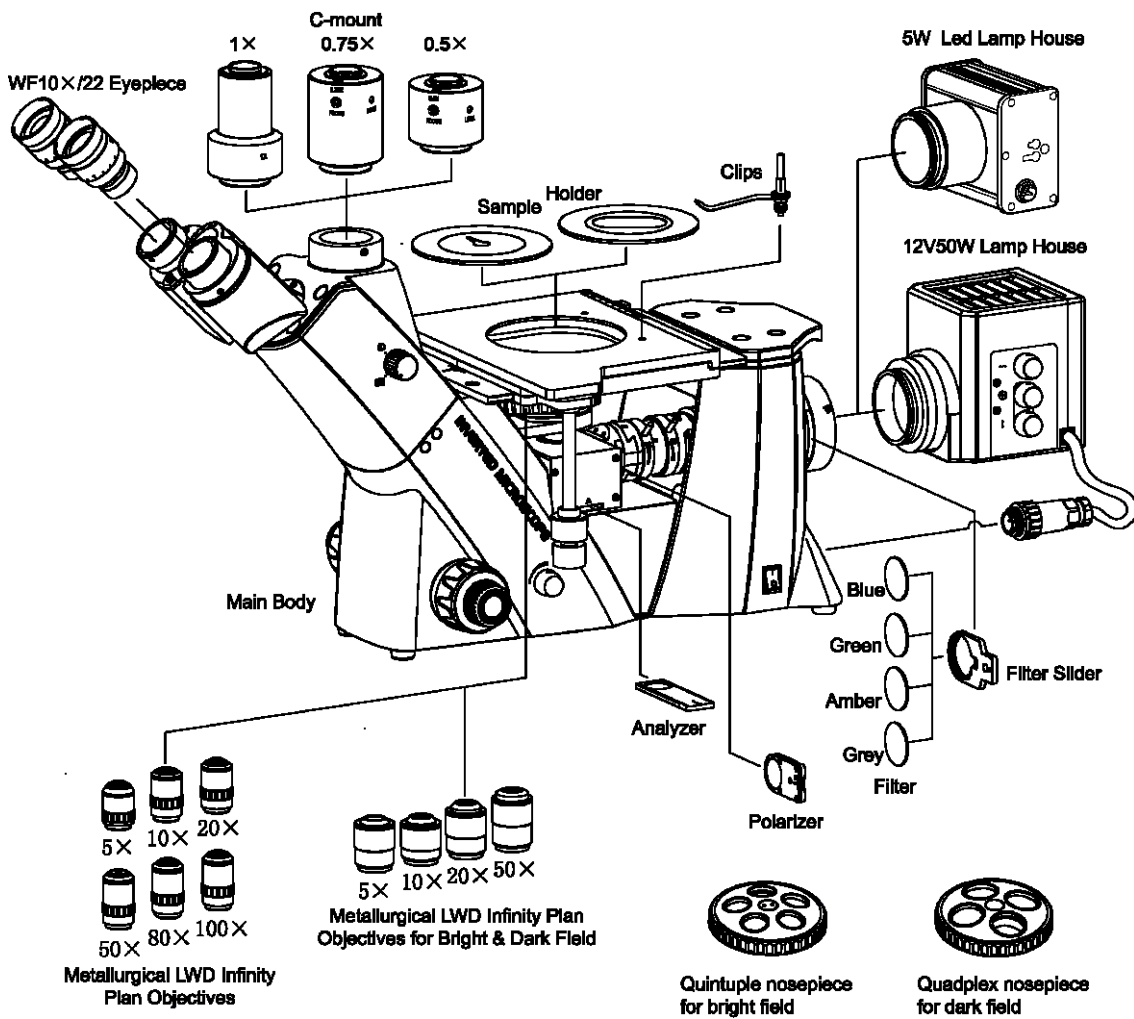
Specification

Item	Specification	STM-6005	STM-6005D
Optical System	Infinite optical system	Standard	Standard
Viewing Head	Seidentopf trinocular viewing head, 30° inclined, Interpupillary distance: 48-76mm, Light distribution (both): 100: 0 (100% for eyepiece), 80:20 (80% for trinocular head and 20% for eyepiece)	Standard	Standard
Eyepiece	WF10×/22mm (adjustable)	Standard	Standard
	WF10×/22mm (adjustable, reticule 0.1mm)	Standard	Standard
Metallurgical LWD Infinite Plan Objectives	LPL 5×/0.13, WD=16.04mm	Standard	Standard
	LPL 10×/0.25, WD=18.48mm	Standard	Standard
	LPL 20×/0.40, WD=8.35mm	Standard	Standard
	LPL 50×/0.70, WD=1.95mm	Standard	Standard
	LPL 80×/0.80, WD=0.85mm	Optional	Optional
	LPL 100×/0.9(Dry), WD=1.1mm	Optional	Optional
Metallurgical LWD Infinite Plan Objectives for Bright & Dark Field	M Plan 5×/0.13 BD, WD=16.04mm		Standard
	M Plan 10×/0.25 BD, WD=18.48mm		Standard
	M Plan 20×/0.40 BD, WD=8.35mm		Standard
	M Plan 50×/0.70 BD, WD=1.95mm		Standard
Nosepiece	Quintuple nosepiece	Standard	
	Quadruple nosepiece (specially for bright&dark field objectives)		Standard
Focusing	Low position coaxial coarse and fine adjustment. With tightness adjustment. Coarse stroke per rotation 10mm, fine stroke per rotation 0.2mm; fine division 2µm.	Standard	Standard
Stage	Three-layers mechanical stage, size 210mm×180mm, right hand low position control, Moving range 50mm×50mm, scale 0.1mm	Standard	Standard
Illumination	Reflected Koehler illumination with iris diaphragm and centerable field diaphragm, 12V/50W Halogen (Input voltage: 100V-240V)	Standard	Standard

Specification

	Reflected Koehler illumination with iris diaphragm and centerable field diaphragm, 5W LED lamp (Input voltage: 100V-240V)	Optional	Optional
Auto power on-off system	Power off automatically upon user leaving 10 minutes, power on automatically upon user approaching	Optional	Optional
Polarizing kit	Polarizer and the analyzer	Standard	Standard
Filter	Blue filter	Standard	Standard
	Green/ Amber/ Grey	Optional	Optional
Video Adapter	1× C-mount adapter, focus adjustable	Optional	Optional
	0.75× C-mount adapter, focus adjustable	Optional	Optional
	0.5× C-mount adapter, focus adjustable	Optional	Optional
Packing	Packing Size: 660mm×590mm×325mm, Gross Weight:	Optional	Optional
	17 kgs, Net Weight: 12.5 kgs	Standard	Standard

System Diagramm



Dimension

