

STALWART

Inverted Biological Microscope STM-2093A Series

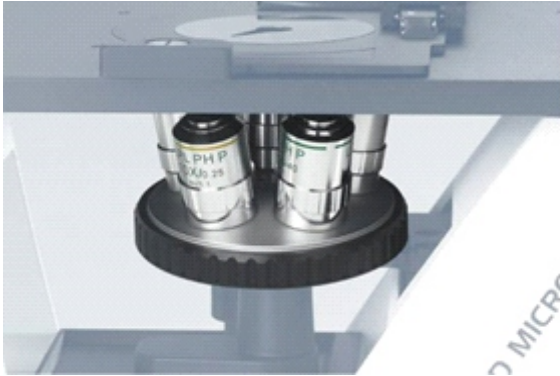


Introduction

STM-2093A Inverted Biological Microscope is a high level microscope which is specially designed for medical and health units, universities, research institutes to observe cultured living cells. With an innovative infinite optical system and ergonomic design, it has excellent optical performance and easy to operate features. This inverted biological microscope makes your work enjoyable. Digital cameras can be added to the trinocular head to take photos, videos and make measurement.

Features

- Excellent infinite optical system, Wide field eyepiece, view field up to $\Phi 22\text{mm}$, more comfortable for observation.
- More objectives can be installed on the large diameter quintuple nosepiece, easier to change objective.
- Light distribution (both): 100 : 0 (100% for eyepiece); 80 : 20 (80% for trinocular head and 20% for eyepiece).



- Long working distance condenser N.A. 0.30, Working distance: 72mm(with condenser), Working distance: 195mm (without condenser), available for extra high culture dishes.
- Large size stage, convenient for research. Size: 210mm(X) × 240 (Y)mm, Moving range: 128mm (X) × 80 (Y)mm.

Mechanical stage available for 96 holes plate.



- Culture Dish Holder



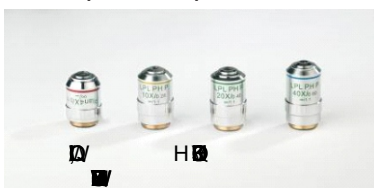
$\Phi 65\text{mm}$

$\Phi 54\text{mm}$

$\Phi 35\text{mm}$

blood cell counter holder

- Knob of X-Y mechanical stage can be changed by left or right.
- Infinite plan 4X phase contrast objective is available.



Specification

Item	Specification	STM-2093 A	STM-2093 AFL	STM-2093 AFL(LED)	
Optical System	Infinite Optical System	Standard	Standard	Standard	
Viewing Head	Seidentopf Trinocular Head, Inclined at 45°, Interpupillary Distance 48-76mm, Light distribution (both): 100: 0 (100% for eyepiece), 80:20 (80% for trinocular head, and 20% for eyepiece), Eyepiece Tube Diameter 30mm	Standard	Standard	Standard	
Eyepiece	Wide Field Eyepiece WF10×/ 22mm	Standard	Standard	Standard	
	Wide Field Eyepiece WF15×/ 16mm	Optional	Optional	Optional	
	Wide Field Eyepiece WF20×/ 12mm	Optional	Optional	Optional	
Objective	Long Working Distance Infinite Plan Achromatic Objective	4×/0.11, W.D.=12.1mm	Standard	Standard	Standard
		10×/0.25, W.D.=8.3mm	Optional	Optional	Optional
		20×/0.40, W.D.=7.2mm	Optional	Optional	Optional
		40×/0.60, W.D.=3.4mm	Optional	Optional	Optional
	Long Working Distance Infinite Plan Achromatic Phase Contrast Objective	4×/0.10, W.D.=9.2mm	Optional	Optional	Optional
		10×/0.25, W.D.=8.3mm	Standard	Standard	Standard
		20×/0.40, W.D.=7.2mm	Standard	Standard	Standard
		40×/0.60, W.D.=3.4mm	Standard	Standard	Standard
Nosepiece	Backward Quintuple Nosepiece	Standard	Standard	Standard	
Condenser	Long Working Distance Condenser, N.A. 0.3, Working Distance 72mm (with condenser), 195mm (without condenser)	Standard	Standard	Standard	
Centering Telescope	Centering Telescope (Φ30mm)	Optional	Optional	Optional	
Phase Annulus	10×, 20×, 40× Phase Annulus Plate	Standard	Standard	Standard	
	4× Phase Annulus Plate	Optional	Optional	Optional	
Stage	Plain Stage 210(X)×240mm(Y), round slide plate: Φ110mm	Standard	Standard	Standard	
	Attachable Mechanical Stage, X-Y Coaxial Control, Moving Rang: 128mm×80mm	Standard	Standard	Standard	
		Optional	Optional	Optional	
	Petri Dish Holder Φ65mm	Standard	Standard	Standard	
	Petri Dish Holder Φ54mm	Optional	Optional	Optional	
	Petri Dish Holder Φ35mm	Standard	Standard	Standard	
	Blood cell counter Holder	Optional	Optional	Optional	

Specification

Focusing	Coaxial Coarse and Fine Adjustment, Fine Division 0.002mm, 0Moving Range 10mm	Standard	Standard	Standard
Koehler Illumination	6V/30W Halogen Lamp, Brightness Adjustable, input voltage: 100V-240V	Standard	Standard	Standard
	5W LED Lamp, Brightness Adjustable, input voltage: 100V-240V	Optional	Optional	Optional
Filter	Blue Filter, Diameter 32mm	Standard	Standard	Standard
	Green Filter, Diameter 32mm	Standard	Standard	Standard
	Amber/Grey Filter, Diameter 32mm	Optional	Optional	Optional
C-mount	0.5× C-mount Adapter (focus adjustable)	Standard	Standard	Standard
	0.75× C-mount Adapter (focus adjustable)	Standard	Standard	Standard
	1× C-mount Adapter (focus adjustable)	Standard	Standard	Standard
Epi-Fluorescent Attachment	Epi-fluorescence attachment with 100W mercury lamp and B, G fluorescent filters, field diaphragm, center adjustable.	Standard	Standard	Standard
	Epi-fluorescence attachment with 5W LED lamp and B, G fluorescent filters, field diaphragm, center adjustable.	Optional	Optional	Optional
	V, UV fluorescent filters	Optional	Optional	Optional
Packing	1carton/set, Size: 66×59×33cm, GW: 18kgs, NW: 14kgs	Standard		
	2cartons/set, carton 1 Size: 52×47×49cm, GW: 18kgs, NW: 14kgs; carton 2 Size: 52×47×24cm, GW: 6kgs, NW: 4kgs		Standard	
	1carton/set, Size: 52×47×49cm, GW: 23kgs, NW: 18kgs			Standard

Application

STM-2093A Inverted microscope is used by medical and health units, universities, research institutes for oSTMervations of micro-organisms, cells, bacteria and tissue cultivation. It can be used for continuous oSTMervation of process of cells, bacteria grow and divide in the culture medium. Videos and images can be taken during the process. This microscope is widely used in cytology, parasitology, oncology, immunology, genetic engineering, industrial microbiology, botany and other fields.