

## STM-2081F Scientific Fluorescent Microscope Instruction Manual



STM-2081F

This manual is for users of STM-2081F Scientific Fluorescent Microscope in laboratory. To ensure your safety, obtain optimum performance, and to familiarize yourself fully with the use of this microscope, we recommended that you study the instruction manual carefully.

# Contents





Microscope Part .....	2
Notice For Use.....	2
1.Components Name .....	4
2.Structure Overview .....	5
3.1 Open Power Source(fig.1) .....	7
3.2 Adjust Lighting and Switch Light Source (fig 2) .....	7
3.4 Mount Specimen And Adjust Stage( .....	8
3.5 Adjust Interpupillary Distance( .....	9
3.6 Three Light Path Switching(fig 7) .....	9
3.7 Focusing( .....	9
3.8 Handwheel For Adjusting The Tightness Of Focusing (fig.9).....	10
3.9 The Limit of Focusing .....	10
3.10 Adjust The Pendulum Type Condenser .....	10
3-11 Using Frosted Sheet(figure 13) .....	12
3-12 The Using Of Extensional Function Board (fig 14) .....	12
3-13 “ECO” Function Key(fig 15) .....	12
3-14 Replace The Fuse .....	13
3-15 “ECO” Device(fig 18) .....	13
4.Installation .....	14
4.1 Installation Diagram .....	14
4-2-1 Install the Mechanical Slide Bracket (fig 1, fig 2) .....	15
4-2-2 Install The Mechanical Object Stage (fig 3, fig 4).....	15
4-2-3 Install Nosepiece.....	16
4-2-4 Install Camera Lens And Photo tube/0.5X C-mount (fig 6).....	16
4-2-5 Install Eyepiece(fig 7) .....	17
4-2-6 Install Objectives(fig 8) .....	17
4-2-7 Install the Electric Condenser (fig 9).....	18
4-2-8 Replace the Camera Interface (optional) (fig 10,11).....	18
4-2-9 Install The LED Lamp Chamber(fig 12).....	19
6.Trouble shooting guide.....	22
6.1 Optical Part .....	22
6.2 Mechanical System .....	24
6.3 Electrical System .....	25
FL-900 Epi- fluorescent Attachment.....	26

# Microscope Part


## Notice For Use

STM-2081F

### I. Safety Precaution

Symbol	Description
	During use, the power box of microscope become very hot, so should not be touched with bare hands.
	Before using, please read the user manual carefully. If can not use inappropriately, it will cause an accident that harm operators or damage instrument
	Power switch is open.
	Power switch is closed.

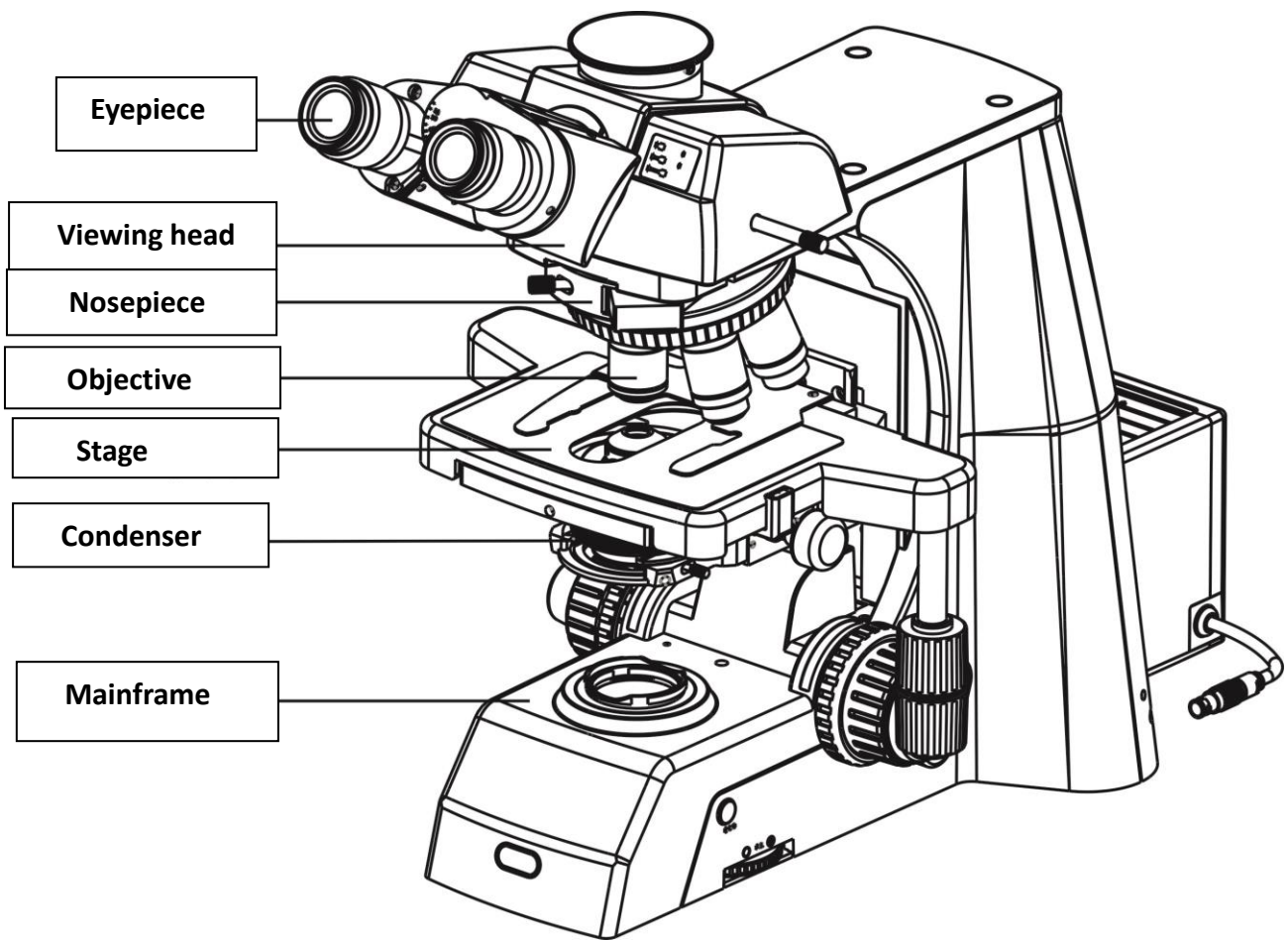
### II. Safety Precaution

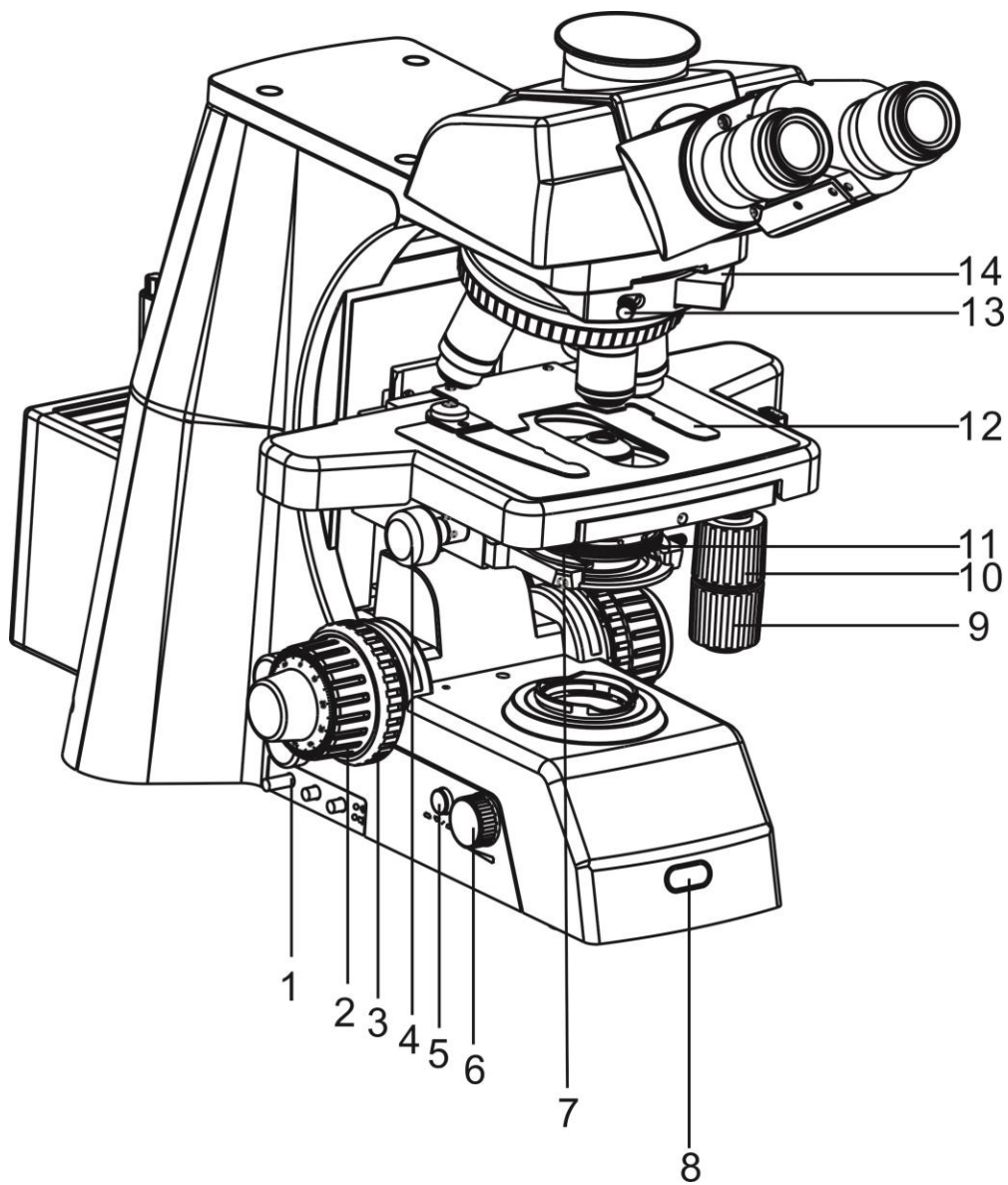
1. Be careful before opening box. Don't attach fingerprint and Perspiration on the camera lens. Prevent camera and some accessories from dropping and damaging.
2. Don't place microscope in direct sunlight, high temperature, high humidity or dusty, and vulnerable to strong vibration. Ensure that the objective table is flat ,level and strong enough.
3. When working, near the microscope lamp room will be a little fever. Please ensure that there is enough heat dissipation space around the room light.
4. Place the microscope on the grounding, avoid lightning strike.
5.  To ensure safety, before change halogen lamp or fuse ,please guarantee the main power switch is "O", cut off light source, and wait for the light and lamp room are cooling. Check input voltage: the input voltage indicated on the back of microscope and the power supply voltage is consistent, otherwise it will lead to serious damage to the microscope.
6. Please use the special wire of the company to provide.

### III. Maintenance and Storage

1. All camera lenses are proofread and adjusted. Please tear open outfit
2. Revolving nosepiece and coarse micro focusing mechanism, which structure are precise. Please don't remove easily.
3. Instruments shall be kept clean, always remove dust. Please care about that don't contaminate optic components.
4. Smears on the optic lens, such as fingerprint, oil and so on ,which are wiped by cotton, lens paper or gauze dipping anhydrous alcohol, xylene and ether. (⚠️**Either, xylene and alcohol are highly flammable, which can not near open fire. Please use these chemicals in a well ventilated room.**)
5. Don't use organic solvent to wipe any optic components of microscope. If cleaning ,please use neutral detergent.
6. When using, if the microscope are wet by liquid, please close power source and wipe dry right now.
7. Don't open any component parts of the microscope. Because it will degrade the performance of the microscope.
8. Place instrument in a shady and dry space. If do not use microscope , please cover with dust cover. Before covering, please ensure that the light box has cooled.

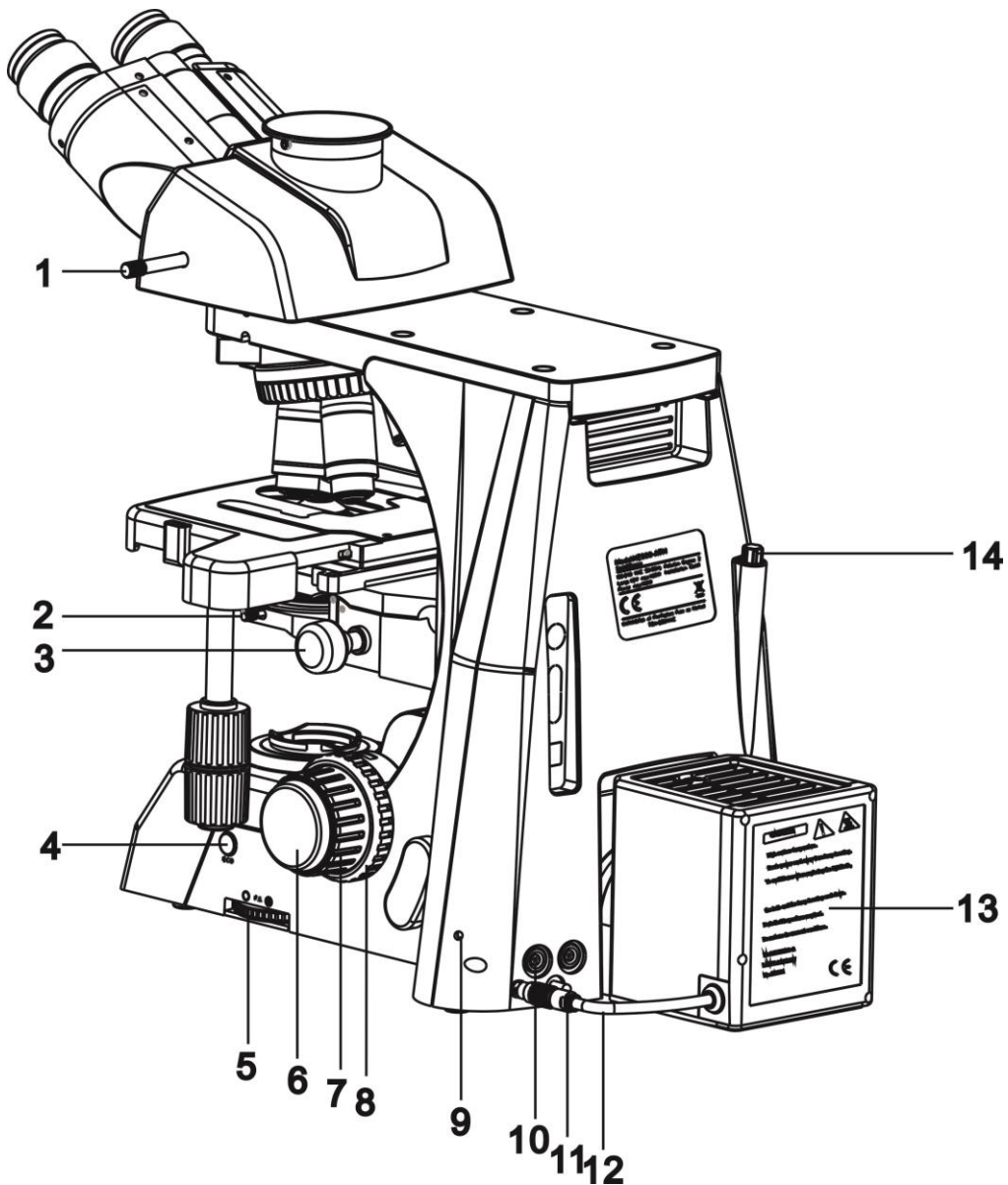






1. Filter switching knob
2. Coarse and fine focusing handwheel
3. Focusing limiting and locking Handwheel
4. Condenser height adjustment wheel
5. Lighting switching button
6. Lighting adjustment handwheel
7. Condenser

8. "ECO" infrared sensor
9. Coaxial pinion for X stage movement
10. Coaxial pinion for Y stage movement
11. Condenser disk
12. Biopsy clip
13. Screw for fastening extensional board
14. Extensional board



- 1.pushing rod for switching light path
- 2.Condenser fastening screw
- 3.Condenser height adjustment wheel
- 4."ECO"button
- 5.Aperture size adjustment knob
- 6.Fine focusing handwheel
- 7.Coarse focusing handwheel

- 8.Focusing limiting and locking handwheel
- 9.Screw for fastening lamp chamber
- 10.Socket of lamp chamber
- 11.Grounding bar
- 12.Plug of lamp chamber
- 13.Lamp chamber
- 14.Allen wrench

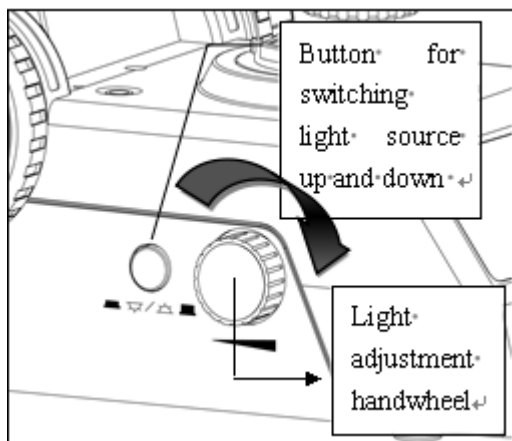
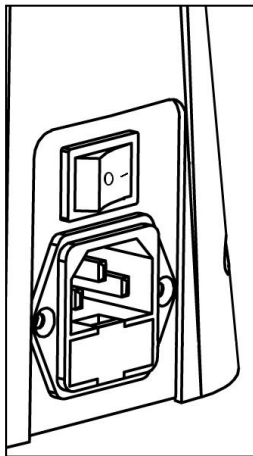


Fig 2

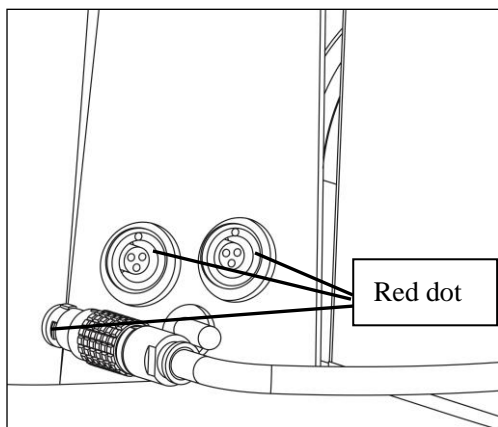




Fig 3

### 3.1 Open Power Source(fig.1)

Plug power source, toggle the main switch in '—' state, which on the back of microscope.



### 3.2 Adjust Lighting and Switch Light Source (fig 2)

1. Rotating the handwheel according to the direction indicated by an arrow on the figure 2, the brightness will increase. If not, brightness will reduce.

2. As shown in figure 2, when the light switch button is push-in, the light on the top is opening, as picture  . When the light switch button is push-out, the light on the bottom is opening, as picture .

### 3.3 Light Source Socket(fig 3)

As shown in figure 3, the light socket and the plug all with red dots. Before plugging in the socket, please adjusting the direction until their red dots are aligned, then plugging the plug.

☆ the silk-screen is corresponding with the switch button of lights. As shown in the figure,  is the socket of above light source.  is the socket of under light source.

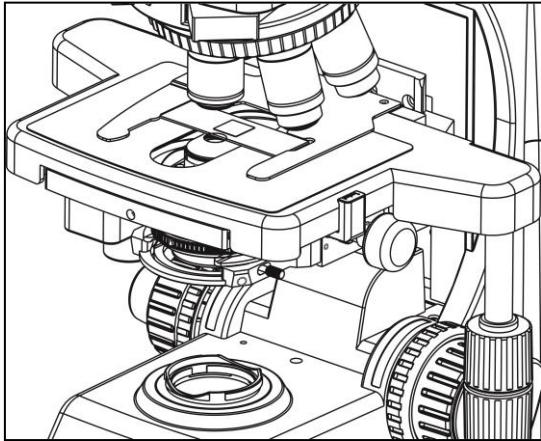


Fig 4

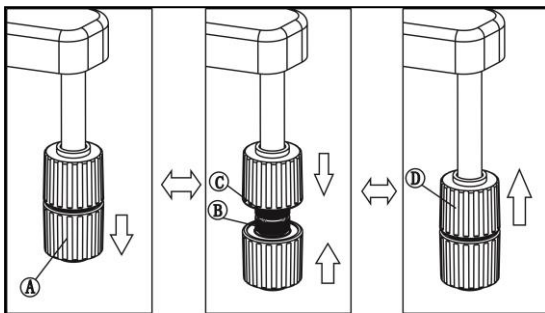


Fig 5

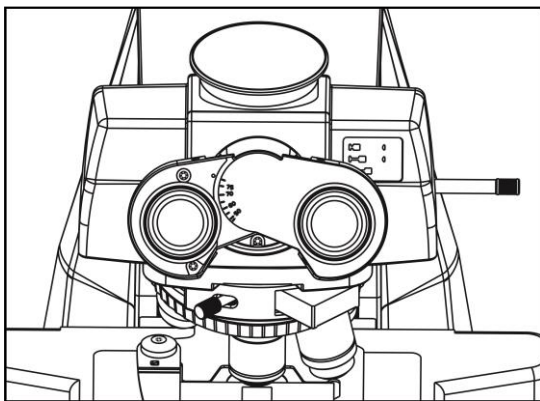


Fig 6

- ★ when switching light button, if found the button is not matched with the shown in the figure, please check that

### 3.4 Mount Specimen And Adjust Stage(fig 4, fig 5)

Push the cover glass slowly into the jaw, then clamp glass gently.

Rotate handwheel to move ruler athwartships or length ways. The specimen will be moved to a place you need.

★Be careful to change objectives. When you have observed the specimen with a Low-power objective and needed to change objective, objective may encounter specimen.

★The degree of tightness of handwheel can be adjusted. Please Draw down handwheel A and find two adjusting ring(B,C),then rotate ring. B is the adjusting ring of X direction. C is the adjusting ring of Y direction.

★the altitude of handwheel also can be adjusted. Draw down handwheel A and D can rise integral handwheels. You can also adjust it to negative direction and rise handwheels.



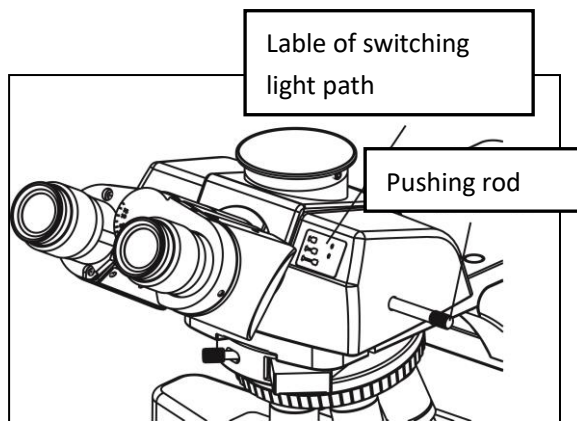


Fig 7

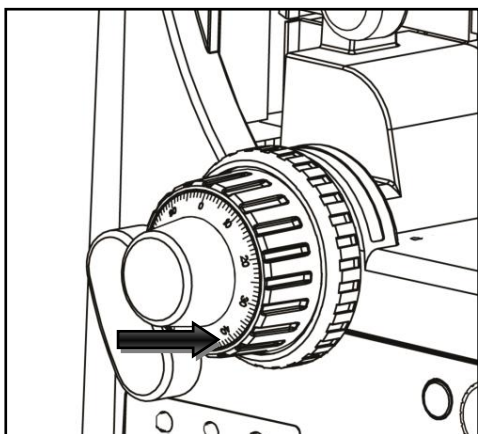
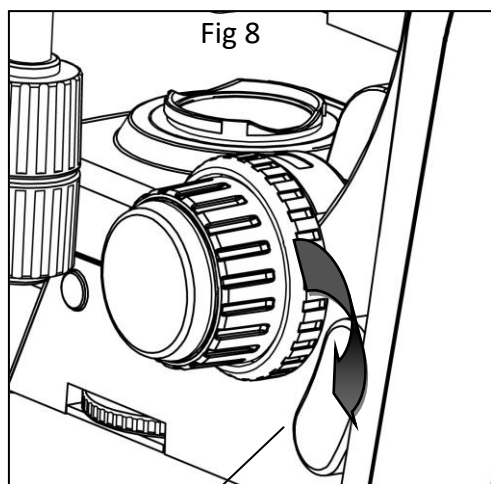


Fig 8






Handwheel for adjusting tightness of focus

Fig 9

### 3.5 Adjust Interpupillary Distance(fig 6)

The range of interpupillary distance is 47mm~78mm. when observing with binocular, holding the prism table and pivoting to adjust the interpupillary distance, until two sides of field roll into one and observe with binocular comfortably.

### 3.6 Three Light Path Switching(fig 7)

Icon	Operation	Proportion of camera brightness
	Push rod in completely	100:0
	Push rod to middle	20:80
	Push rod out completely	0:100

### 3.7 Focusing(fig8,fig 9)

1. When the camera is not used.

Completely push the light path switching rod (fig.7) and observe by objective of 10X. In order to avoid the specimen and objective collision, we should rise mechanical object stage and let the specimen near the objective. Widdershins rotating the coarse adjustment knob slowly and dropping the specimens, then searching image with the objective of 10X. At last, focusing to clear with fine-turning handwheel.

2. When the camera is used

Push the light path switching rod completely(fig.7) and binocular observing, until the image is clear, then pulling out the rod, observing the image through the video, which connects with microscope.

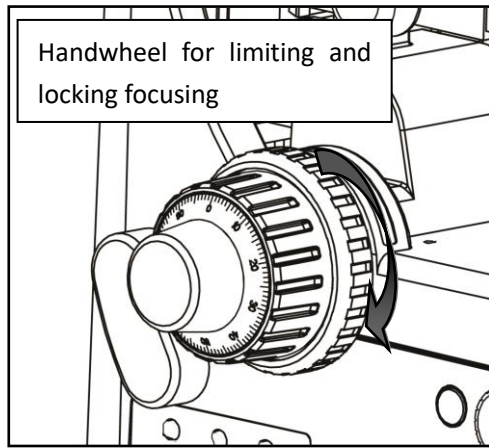


Fig 10

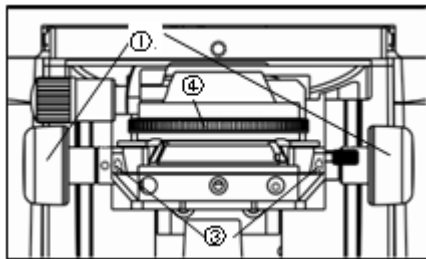


Fig 11

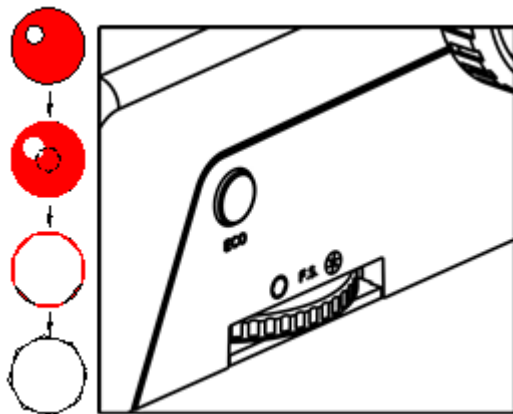


Fig 12

★On both sides of the fine focusing handwheels are removable. According to the direction of arrow, hold one end of handwheel and make another cock. Then stir it from the cock end. About install it, only need to align the center of handwheel and assemble it. This function is helpful to exchange two fine adjusting handwheels and avoid cause the collision between fine adjusting handwheel and stage.

### 3.8 Handwheel For Adjusting The Tightness Of Focusing (fig.9)

Accord the direction indicated by an arrow in figure 8 to adjust the tightness of handwheel. The more rotating, the tighter of the focusing handwheel, otherwise looser.

### 3.9 The Limit of Focusing (fig 10)

In actual use, if you need to lock the focusing limit position(the height of platform), you can rotate the handwheel tightly at the focusing limit position according to the direction indicated by an arrow on the figure 3.

### 3.10 Adjust The Pendulum Type Condenser (fig 11, fig 12)

- Condenser center should be coaxial with optical axis of the objectives, which has been adjusted well before leaving factory, so users need not to adjust by self.
- The top of the condenser, which has been adjusted before leaving factory, so users need not to adjust by self.
- Rotating the focusing handwheel of condenser①, condenser will move up and down. when using high power objective, condenser will up. When using low power objective, condenser will move down.

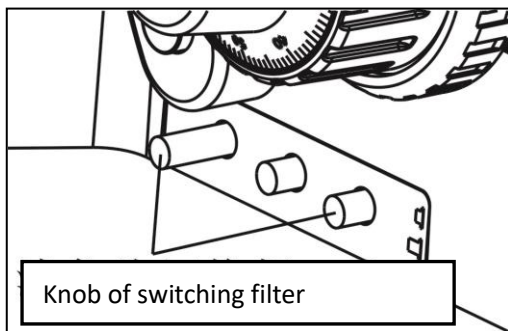


Fig 13

**Condenser centering:**

1. Rotating the focusing handwheel of condenser ① and rising the condenser to the top position.
2. Focusing the specimen with the objective 10x.
3. Rotating the field diaphragm ②, shrinking image of field diaphragm to view.
4. Rotating the focusing handwheel ① to focus the image of field diaphragm.
5. Using spanner to rotate screw ③ and move the field diaphragm to view center.
6. Opening the field diaphragm step by step. If the image of field diaphragm at center and in a field of view, the condenser has been centered.
7. In an actual use, increase the field of diaphragm and the image will exterior contact with view.
8. The adjustment of aperture diaphragm ④  
Aperture diaphragm is to adjust numerical aperture, not to adjust brightness. When the aperture diaphragm is opened to the 70%~80% of objective aperture, it will get enough good image contrast.
9. The controlling of the field of aperture diaphragm  
When operating, rotating the field diaphragm ② and shrink the field of aperture diaphragm, then observe it. If the image is blurry, you can rotate the focusing handwheel of condenser. rising bracket of condenser, the image will be clear, then rotating field diaphragm and adjusting the image full of eyepiece, to reduce the noise of light and produce the quality of image.



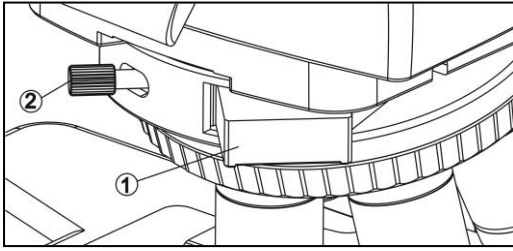


Fig 14

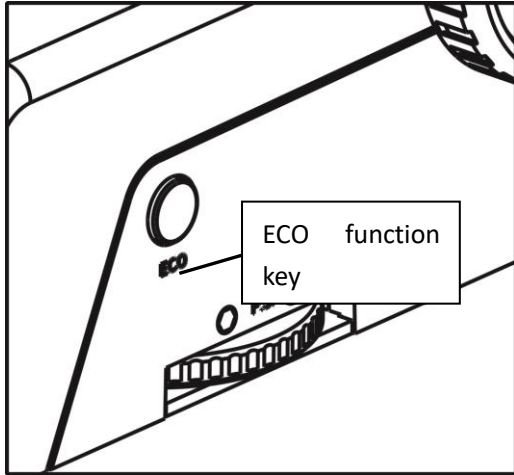


Fig 15

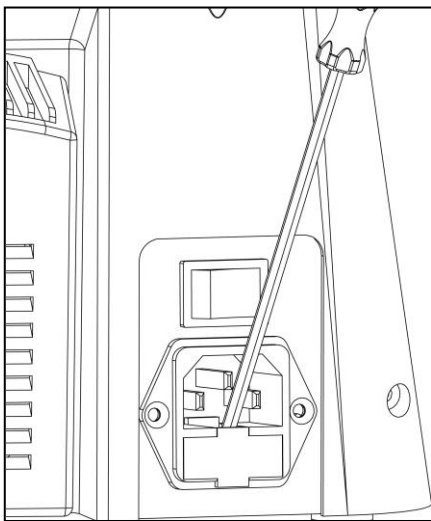


Fig 16

### 3-11 Using Frosted Sheet(fig 13)

As shown in figure 13, the state of using filter is push in the rod. When push out the rod, filter is in an empty state. LBD is a filter of increasing color temperature. ND25 is a filter of 25% light transmittance. ND6 is a filter of 6% light transmittance.

### 3-12 The Using Of Extensional Function Board (fig 14)

As shown in fig13, converter reserves a slot to hold the extensional function board. The ordinary light field board has been inset the slot before The lens of microscope leaving factory. If using other extensional function board, only need to tear down and loosen ②, pull out the standard light field board, then inset the extensional function board into the slot and freeze the bolt of ② .

### 3-13 “ECO” Function Key(fig 15)

When people leave microscope after 15 minutes, the light will be off and the indicator light will flash once every 3 seconds. When people back, press ECO function key, which will prompt light open.

Long press button for 3 seconds will cause red indicator off and floodlight always lighting. If again Long press button for 3 seconds, it will result in red indicator light lighting and recover the first time working state.

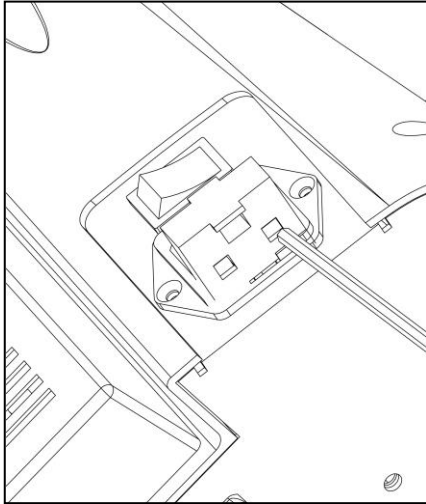


Fig 17

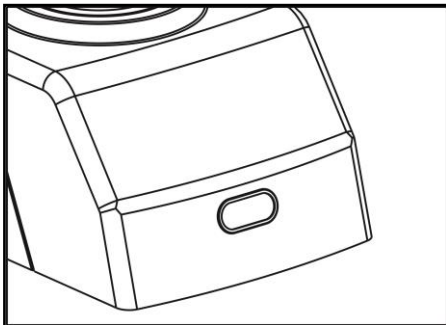


Fig 18

### **3-14 Replace The Fuse (fig 16, fig17)**

As shown in the figure 16, first using the general wrench push aside the drawer of fuse. Then referencing figure 17, through the square hole under of the fuse drawer gently drag the fuse upward.

There is a thin glass in the middle of the fuse, please operate carefully and gently when pushing aside the drawer and drag the fuse.

★there is a thin glass in the middle of fuse, Before pushing drawer and dragging fuse, please operate gently.

### **3-15 “ECO” Device(fig 18)**

As shown in the figure 17, the device can detect the front object within 1meter.

When people observing within one meter ahead, the device displays that red light has been bright, and the light of microscope does not turn off.

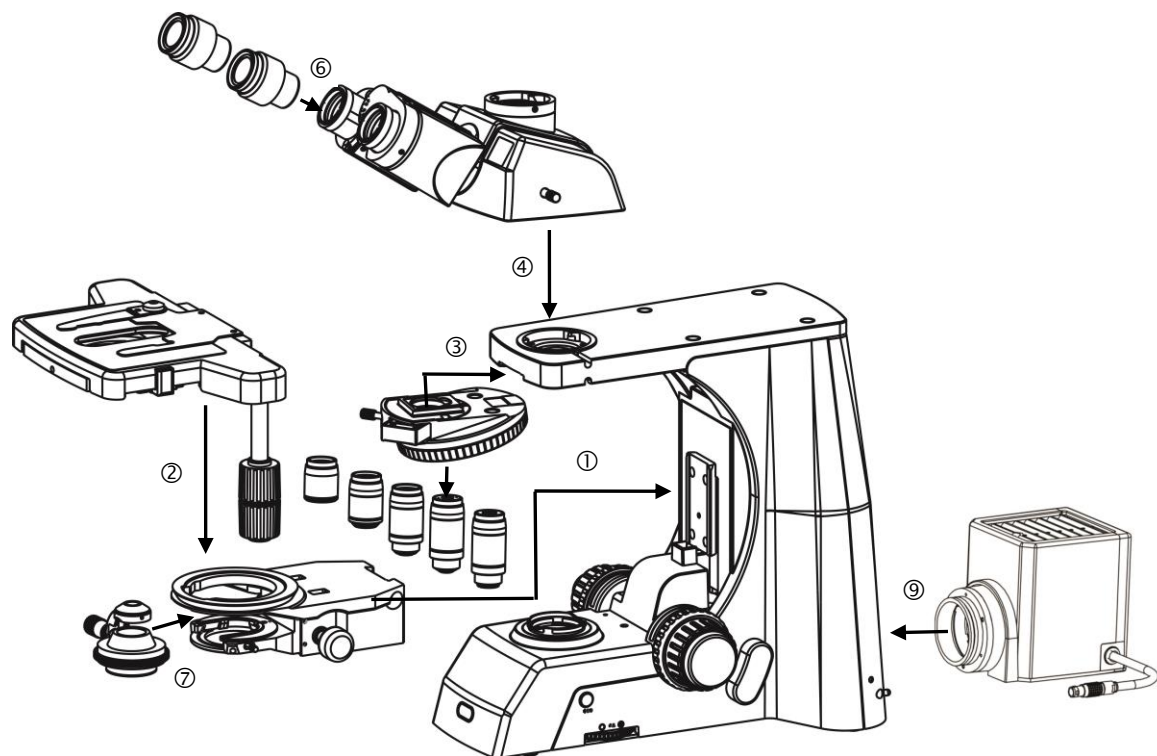
When the light is not on, which shows the microscope light source is in an off state

## 4.1 Installation Diagram

The diagram as below shows the order of each component's installation. The figures in the diagrams show the installation steps.

★Before installing, please ensure that all components are clean. Don't cut any component or surface of glass.

★Keep the hex wrench provided well, which can be used When you changing the components.



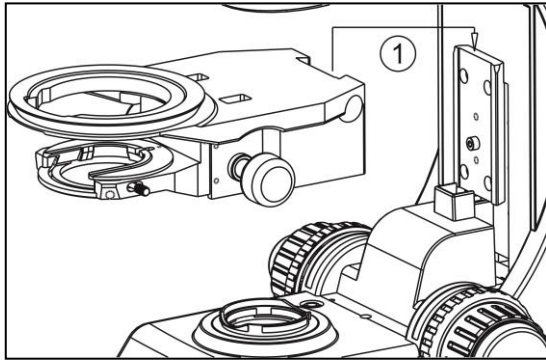


Fig 1

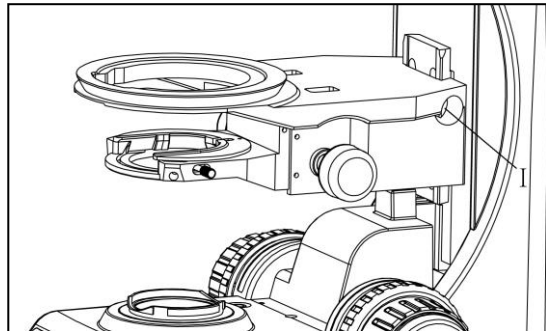


Fig 2

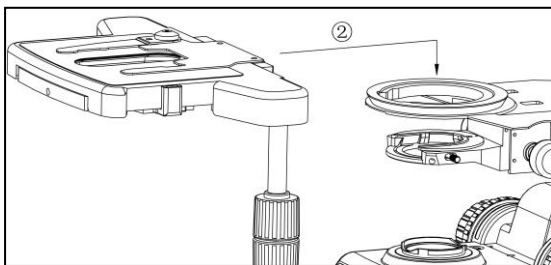


Fig 3

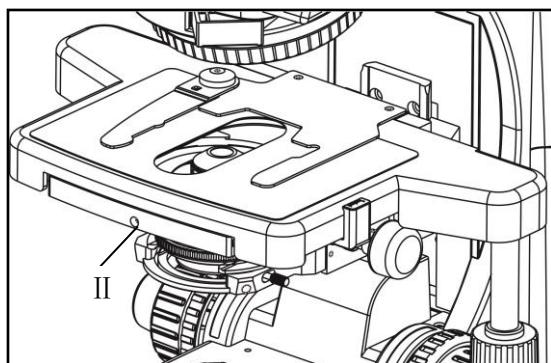


Fig 4

## 4-2-1 Install the Mechanical Slide Bracket (fig 1, fig 2)

★ Install the platform bracket according to the path of ① in figure 1. The dovetail slot needs to align with the slot of platform bracket, sliding it until the screw fix it. Then use the hex wrench tighten the screw shown as I in figure 2.

## 4-2-2 Install The Mechanical Object Stage (fig 3, fig 4)

★ Install the mechanical object stage according to the path of number ② in figure 2. First align the object stage's hole center and the bracket circle center, then object stage downward slides the bracket locating ring

◇ After placing the object stage steady, using the hex wrench screw the bolt, which shown as I in the figure 4, and the object stage will not wobble.

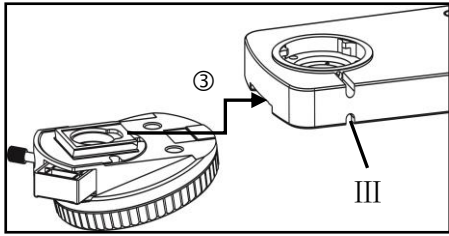


Fig 5

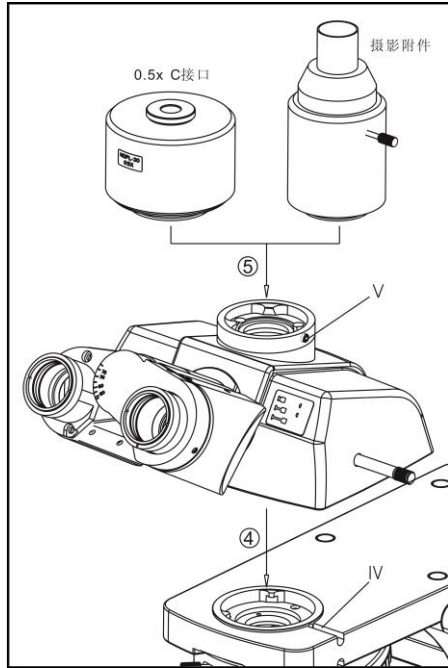


Fig 6

### 4-2-3 Install Nosepiece (fig 5)

Connect the plug of nosepiece with socket, then inset the dovetail groove of microscope according to the path ③ shown in figure 5. At last, use hex wrench tight up the bolt shown as Ⅲ.

### 4-2-4 Install Camera Lens And Photo tube/0.5X C-mount (fig 6)

#### 1. Install camera lens

Install camera lens into the microscope groove according to the path ④ shown in the figure 6, then use hex wrench tight up the bolt shown as Ⅳ and fix the camera lens.

#### 2. Install photo acc(optional)

Accord the path of ⑤ shown in figure 6 to insert the trinocular viewing unit into the microscope head. Then use the hex wrench screw the fixed bolt shown as Ⅴ.

★ During install camera lens, please always pay attention to hold camera lens, and prevent it from falling and breaking.

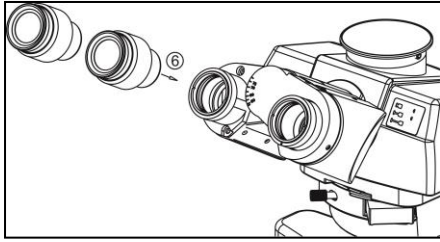


Fig 7

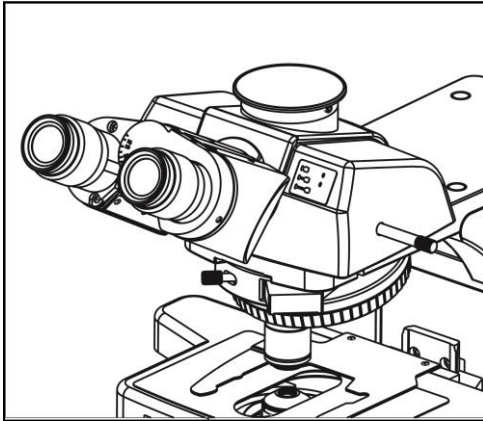


Fig 8

★ If not use the ternary camera lens and the photo accessories, please use the corresponding dust cover to cover the ternary attachment interface and eyepiece interface, to prevent into ashes.

#### 4-2-5 Install Eyepiece(fig 7)

1. Inset eyepiece into the eyepiece sleeve according to the path ⑥ shown in the figure 7.

#### 4-2-6 Install Objectives(fig 8)

1. Adjust the coarse focusing handwheel, until object stage of the mechanical device stent down to its lower limit.

2. Twist the minimum objective to a hole of the nosepiece. Then move the nosepiece and clockwise twist other objectives to the corresponding hole according to the order of magnification from low to high.

◇ This installation method can ensure that during using, it will be easy to change the magnification.

★ Clean the objectives regularly. Because the objective lens is sensitive to dust.

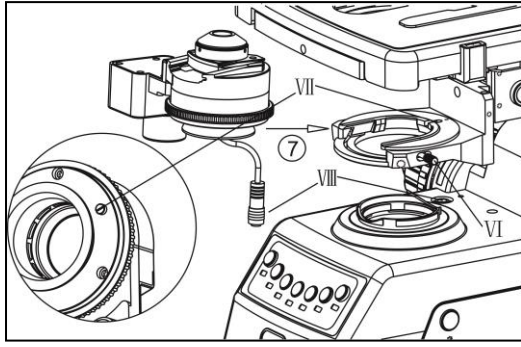


Fig 9

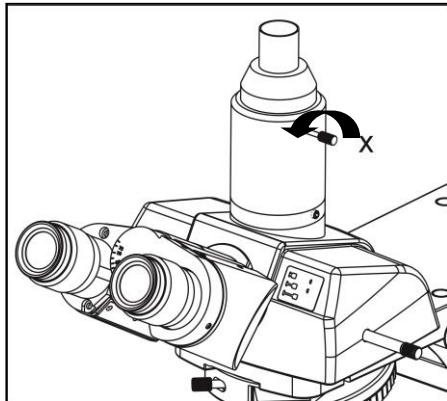


Fig 10

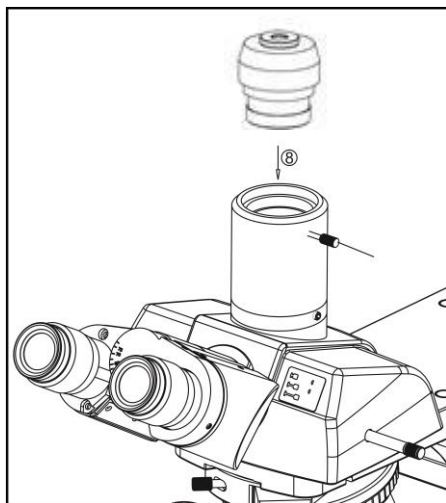


Fig 11

★ when operating, first under of the objective 10x search the sample and focus, then switching to other ratio of objective lens.

★ When switching objectives, turn the objective nosepiece. It does not ensure the objective lens into the heart of the light path until hear the “click” sound

### 4-2-7 Install the Electric Condenser (fig 9)

Drop the small stent to the lowest location, and Inset condenser into the small stent according to the path ⑦ shown in the figure 9, until the VIII bolt piles into the VII slot completely. Then screwing in the VI slot to fasten the condenser according to the shown direction and stick electric condenser

### 4-2-8 Replace the Camera Interface (optional) (fig 10,11)

As shown in the figure 10, spin out the X bolt a distance in the direction shown by the arrow and don't tight the camera interface, then spin out it.

As shown in the figure 11, screw the camera interface into the ternary camera barrel to an appropriate position. Then screw in the number XI bolt to fasten the camera interface.



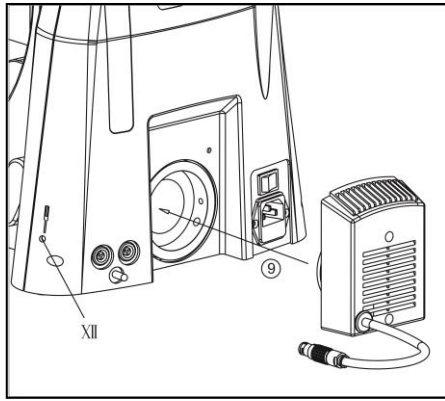


Fig 12

★ In order to ensure the appropriate position of camera interface, first use eyepiece to observe and adjust the sample to a clean imaging position. Then install the camera and observe. At the same time, accordingly adjust the position of camera interface until to the clearest position, then screw the number XI bolt.

★the way to ensure the appropriate position of camera interface: first observe through eyepiece and adjust specimen to a clear imaging position. Then install camera and observe image. At the same time, adjust camera interface until to a appropriate position. Then screw bolt XI tightly.

#### **4-2-9 Install The LED Lamp Chamber(fig 12)**

Insert the lamp box into the position at back of chassis base according to the path ⑨ shown in the figure 12.

Then use wrench screw the XII bolt, until the lamp box is tight.



## (1) Main Technical Specification

Optical System	NIS60 Infinite optical system	STM-2081F
Viewing Head	Seidentopf Trinocular Head, 30° inclined, interpupillary distance: 47mm-78mm; splitting ratio Eyepiece: Trinocular =100:0 or 20:80 or 0:100	Standard
	Ergo Tilting Trinocular Head, adjustable 0-35° inclined, interpupillary distance 47mm-78mm; splitting ratio Eyepiece: Trinocular=100:0 or 20:80 or 0:100	
Eyepiece	Extra Wide Field Eyepiece EW10X/25, Coordinate eyepiece tube Ø30mm	Standard
Nosepiece	Sextuple Nosepiece(with DIC slot)	Standard
	Motorized Sextuple Nosepiece(with DIC slot)	
Objective	Infinite Plan Achromatic Objective:4×, 10×, 20×, 40×, 100×	Standard
Focusing	Coaxial coarse and fine adjustment, fine division 0.001mm	Standard
Stage	Double layer mechanical stage 185×142mm, Moving range 75×55mm	Standard
	Double layer mechanical stage 185×142mm, Moving range 75×55mm, with Sapphire Crystal Glass Insert	
Kohler transmitted Light	S-LED Light	Standard
	12V100W Halogen light	Optional
Condenser	Swing-out type condenser N.A.0.9/0.25	Standard
	Swing-out type condenser N.A.0.9/0.25(Auto)	
Reflected fluorescence illuminator	Turret with 6 filter block cubes position, with iris field diaphragm and aperture diaphragm, central adjustable; with filter slot and polarizing slot; with fluorescence filters (B,G fluorescent filters). 100W mercury lamp house, filament center and focus adjustable; with reflected mirror, mirror center and focus adjustable. Digital power controller, wide voltage 100-240VAC	Standard
Software	Scopeimage10.0	Optional

## (2) Configuration Table

Viewing Head	Seidentopf Type Trinocular Head	Standard
Eyepiece	Extra Wide Field Eyepiece	Standard
Objective	Infinite Plan Achromatic Objective:4×, 10×, 20×, 40×, 100×	Standard
Condenser	Swing condenser NA0.9/0.25	Standard
Photo Attachment		Optional
Video Adapter	C-Mount 1×	Optional

	C-Mount 0.5×	Optional
Polarization Kit	Simple Polarizing kit with polarizer and analyzer	Optional
DIC Attachment		Optional
Phase contrast Kit	Turret Phase Contrast Attachment	Optional
Dark field device	Dark-field Condenser (Dry)	Optional
	Dark-field Condenser (Oil)	Optional
Fluorescence device		Standard

**Note:** Standard Standard Outfit, Optional Optional

### (3) Objective Parameters

Model	N.A	W.D. (mm)	Cover glass thickness	Conjugate distance(mm)
4X	0.10	30	-	∞
10X	0.25	10.2	-	∞
20X	0.40	6.4	0.17	∞
40X	0.65	0.7	0.17	∞
100X	1.25oil	0.2	0.17	∞

### (4) Electrical parameter

- ① input voltage: AC100-240V, 50/60 Hz
- ② Fuse Size: T500mAL250V
- ③ Illumination:12V/100W halogen lamp

## 6.Trouble shooting guide

### 6.1 Optical Part

TROUBLE	CAUSE	SOLUTION
The edge of the field of view is dark or the brightness is not uniform	The nosepiece is not in the located position (objective and light path are not coaxial)	Locate the nosepiece properly where it clicks
	The image of filament is not centered	Center the filament
	The lens(objective, condenser, eyepiece or collector) is dirty	Clean it thoroughly
Find dust and stain in the field of view	There are stains on the lens (including condenser, objective, eyepiece and collector)	Clean it up
	There are stains on the specimen	Clean it up
	The position of condenser is too low	Loosen the condenser's locking bolt, adjust the condenser to the right position
The image is defocused (low resolution\contrast)	There is no cover slip on the specimen	Add cover slip
	The cover slip is too thick or too thin	Use the standard coverslip(0.17mm)
	The specimen is placed inversely	Reversal it back
	There was oil on the dry objective(easily happened in 40x objective)	Clean it up
	There are stains on the lens(including condenser, objective, eyepiece and collector)	Clean it up
	Didn't use oil for the oil objective	Use immerse oil

	There was bleb in the oil	Eliminate the bleb
	Have used the unsuitable oil	Use standard immerse oil
	The size of the aperture diaphragm is too large	Minify it
	There are stains on the incident lens of the binocular tube	Clean up
	The size of the aperture diaphragm is too small	Open it up
	The position of the condenser is too low	Adjust the position
One side of the image is dark	The condenser is not in the center of the field of view\the condenser inclines	Install the condenser again and adjust the center carefully by centering
	The nosepiece is not in the right position	Turning it until it reach the "clicked" position
	The specimen is floating	Fix it
The image shift during focusing	The specimen slips on the stage	Fix it
	The nosepiece is not in the right position	Turning it until it reaches the "clicked" position
The brightness is not enough	The size of the aperture diaphragm is too small	Adjust again
	The position of the condenser is too low	Adjust the position
	The Kohler incident light is not in the center	Adjust the bolt of Kohler incident light

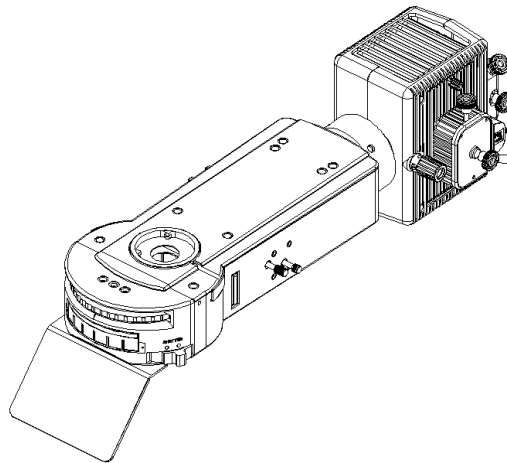
## 6.2 Mechanical System

TROUBLE	CAUSE	SOLUTION
The image can not focus when using high magnification objective	The specimen is placed inversely The coverslip is too thick	Turn inversely Use the standard coverslip (0.17mm)
The objective touches the specimen when changed from low magnification to high magnification	The specimen is placed inversely The coverslip is too thick	Turn inversely Use the standard coverslip (0.17mm)
The specimen is not easy to move	The specimen holder is not fixed	Fix it
The binocular image is not coincident	The interpupillary distance is not correct	Adjust again
Eyes are too tired	No diopter adjustment	Adjust the diopter correctly
	The brightness is not suitable	Adjust the voltage of the lamp
When in less than 10x objective observation, the electric condenser move in. When in more than 10x objective observation, the electric condenser moves out.	The objectives incorrectly install in the matched nosepiece holes, or the setting of software is not matched with the actual installation.	Objectives install in the correct holes, or resetting the software matched with reality.

## 6.3 Electrical System

TROUBLE	CAUSE	SOLUTION
The lamp can't light when the switch is turned on	No power	Check the connection of the power cord
	The bulb is not inserted	Insert it correctly
	The bulb burns out	Replace it
The lamp burns out suddenly	Use a substandard lamp	Use the specified lamp to replace, if the problem is not solved, contact with worker
The brightness is not enough	Use a substandard lamp	Use the specified lamp
	The voltage is too low	increase the voltage
The bulb flickers or the brightness is vertiginous	The bulb is going to burn ou	Replace it
	The bulb is not entirely inserted into the holder	Check and insert it again
After the setting time, people has left and the light is always bright	There are other things in front of microscope within one meter	Move away the things within one meter
Can not capture	Driver hasn't installed correctly	Accord the type of camera and install the corresponding driver
	The line connection is abnormality	Check the connection between microscope, computer and camera has reconnected correctly

# FL-900 Epi- fluorescent Attachment



This manual is written for FL-900 Epi-fluorescent attachment. To ensure the safety, obtain optimum performance and to familiarize yourself fully with the use of this attachment, it is strongly recommended that you read this manual carefully before using it.

## *Notice for use*

The FL-900 epi-fluorescent attachment has been designed for STM-2081 scientific microscope.






### **I Safety Note**

1. The epi-fluorescent attachment is a precise instrument. Open the box carefully, and avoid dropping the accessories to ground and causing damage to them.
2. Do keep the instrument out of direct sunlight, high temperature or humidity, dusty and sharp pounding.
3. Make certain that the burner is installed correctly and all cords are connected firmly.
4. Do not open the lamp housing while it is turned on or for at least 10 minutes after it has been turned off. Lamp housing parts are extremely hot and cause burns if touched.
5. Always be sure to ground (earth) the equipment.
6. Verify that the voltage and the frequency of the AC mains outlet match the setting of the voltage switch and the frequency switch on the rear of the power supply unit.
7. Always use the power cord provided and make sure that the main switch is moved to "O" (OFF) before connecting the power cord plug to the wall outlet.
8. To prevent any hazard, always turn the main switch on the power supply unit to "O" (OFF), unplug the power cord plug from the mains outlet before replacing the burner or the fuse, and wait for at least 10 minutes before replacing the burner. (Be sure to use a OSRAM HBO 100W/2 high pressure mercury burner.)
9. To prevent obstruction of the air flow, it is important to leave enough space around and above the lamp housing.

### **Safety Symbols**


The following symbols are found on the system. Study the meaning of the symbols and always use the equipment in the safest possible manner.



Symbol	Explanation
	Indicates that the surface becomes hot, and should not be touched with bare hands.
	Indicates that high voltage (upper 1KV) inside, improper handling could result in an electric shock to the user.
	Before use, carefully read the user manual. Improper handling could result in personal injury to the user and/or damage to the equipment.
	Indicates that the main switch is ON.
	Indicates that the main switch is OFF.

- This manual is written just for epi-fluorescent attachment and before equipping it with scientific microscope, be sure to learn how to use the microscope.

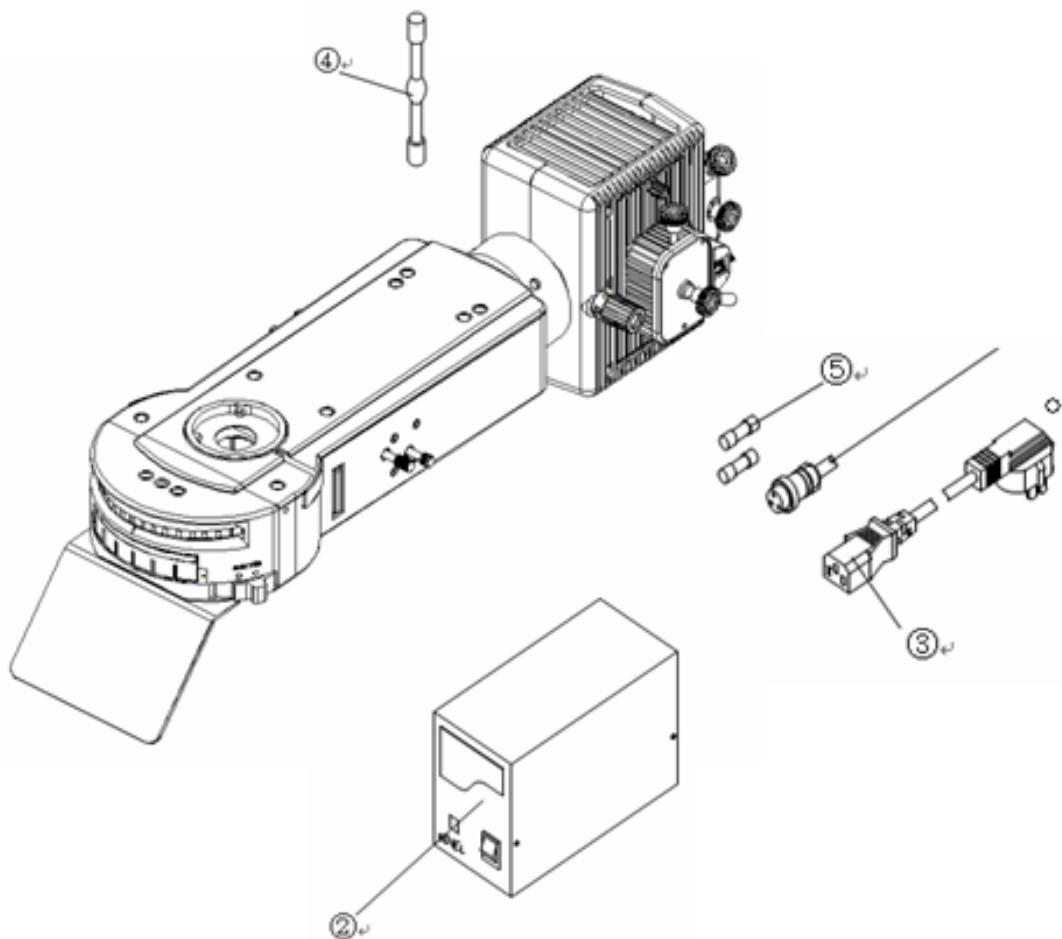
## II Maintenance and Storage

1. Clean all glass components by wiping gently with gauze. To remove fingerprints or oil smudges, wipe with gauze slightly moistened with a mixture of ether (70%) and alcohol (30%).
2.  Since solvents such as ether and alcohol are highly flammable, they must be handled carefully. Be sure to keep these chemicals away from open flames or potential sources of electrical sparks. For example, electrical equipment that is being switched on or off. Also remember to always use these chemicals only in a well-ventilated room.
3. Do not attempt to use organic solvents to clean the non-optical component of the equipment. To clean these, use a lint-free, soft cloth lightly moistened with a diluted neutral detergent.
4. Do not disassemble any part of the power supply unit as malfunction or damage may occur.
5. In order not to impair the safety of the equipment, replace the burner when the counter of NFP-1 indicates "200.00" hours. To prevent any hazard, always turn the main switch on the power supply unit to "O" (OFF), unplug the power cord plug from the mains outlet, and wait for at least 10 minutes before replacing the burner. High-pressure gas is sealed within the mercury burner. Thus, if it is continued to be used after its service life expectancy, the glass tube may deform and may sometimes rupture.

# 1. Components Name

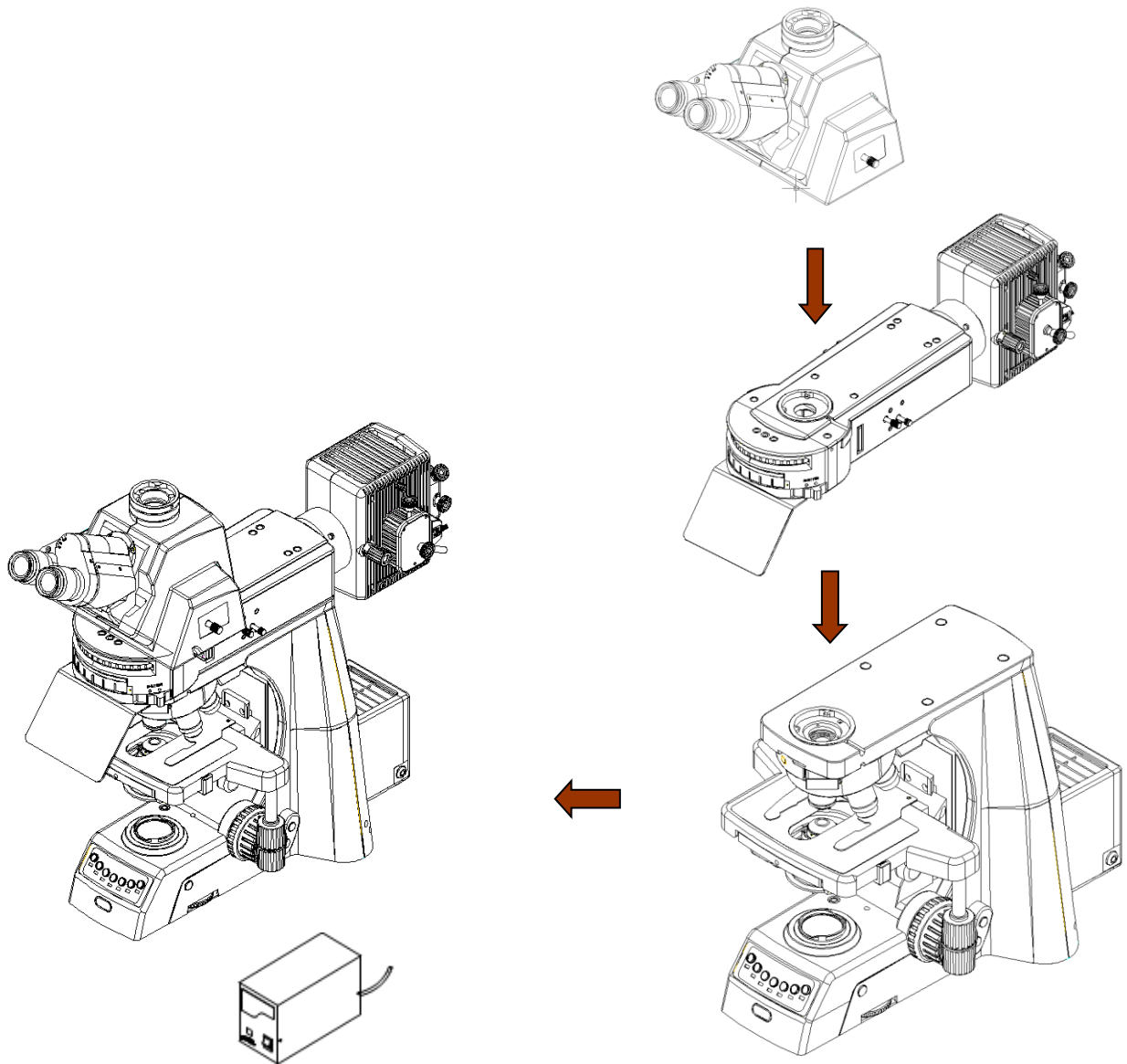
● **FL-900 Epi-fluorescent Attachment includes:** (FL-900)=the body of fluorescent Attachment +(NFP-1) (shown in figure)

- ① Main body of the Epi-fluorescent Attachment
- ② Power supply unit NFP-1
- ③ Power cord (please use the power cord provided)
- ④ Ultrahigh mercury burner
- ⑤ Fuses (5A)—match with the supply voltage



## 2. Assembly

- STM-2081F Scientific Fluorescent Microscope: STM-2081F = STM-2081.



Assembly of STM-2081F Laboratory Fluorescent Microscope:

1. Loosen the set screw ① and take the trinocular Viewing Head ③ from the body of scientific microscope.
2. Insert the epi-fluorescent attachment into the scientific microscope correctly and tighten the setscrew ① until it is installed firmly.
3. Insert the trinocular Viewing Head ③ into the epi-fluorescent attachment correctly and tighten the setscrew ② until it is installed firmly.

## 2.1 Preparation

Open the box carefully, remove all packing material and take the attachment out.

## 2.2 Mounting the Mercury Burner

(fig.1, fig.2)

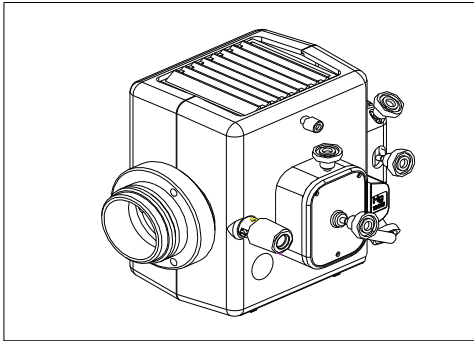


Fig 1

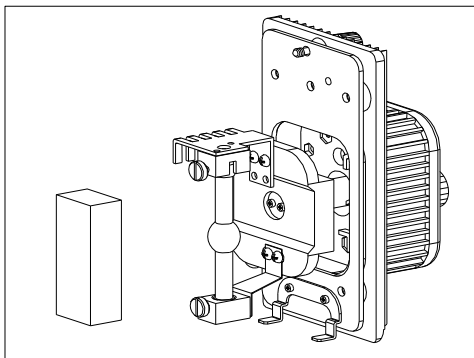


Fig 2

1. Loosen the burner socket clamping screw ① (fig.1), and remove the burner socket (fig.2).
  2. After removing the foam backstop②, securely insert the + pole (the wide head) of the specified mercury burner③ to the lower terminal first and then the – pole(the thin head) to the upper terminal, then tighten the two socket clamping screws④.
  3. Close the burner socket with burner into the original position and tighten the socket clamping screw①.
- Be sure to use a OSRAM HBO 100W/2 ultrahigh pressure mercury burner.
  - Be sure to mount positive pole (the wide head) before the other, or the damage to the burner may occur.
  - Never subject the burner to excessive force when mounting the Mercury Burner.
  - Be careful and avoid leaving fingerprints or dirt on the mercury burner. Attached stain may cause distortion in glass which could result in a ruptured burner. If stained, wipe it away gently with clean gauze.



★To prevent any hazard, always turn the main switch on the power supply unit to “O” (OFF), unplug the power cord plug from the mains outlet, and wait for at least 10 minutes before replacing the burner.

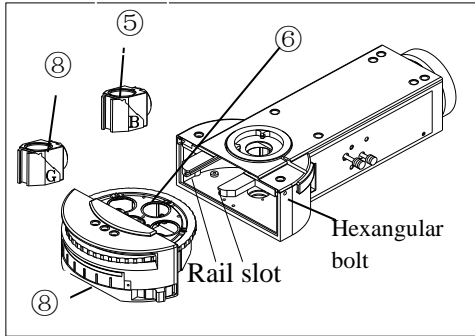


Fig 3

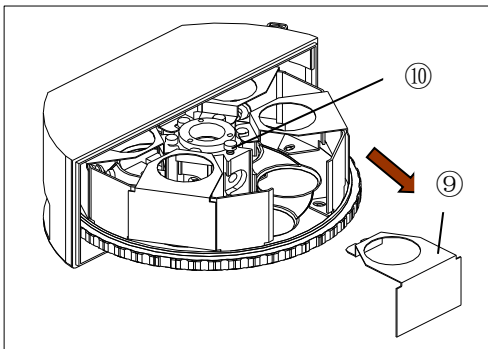


Fig 4

## 2.3 Mounting Filter Blocks (fig.3, fig.4)

1. Screw down the hexangular bolt with the attached hexangular wrench and take out the filter block turret (6).
2. Invert the filter block turret (6), several model blocks (9) can be found. Loosen the bolt (10) to take one of the blocks (9) out.

3. Mount the G –excitation mirror block (8) into the hollow and tighten the bolt (10). Beside the bolt, you can see a number on the turret indicating G-excitation. It will help you remember it if you insert a label below the same number on the front side of the turret. Mount other filter blocks in the same way.

- If the clamping screw (10) is loosen, the filter block will not be invert because of the stopping of above cup

4. Push the filter block turret back into the rail slot and tighten the hexangular bolt.

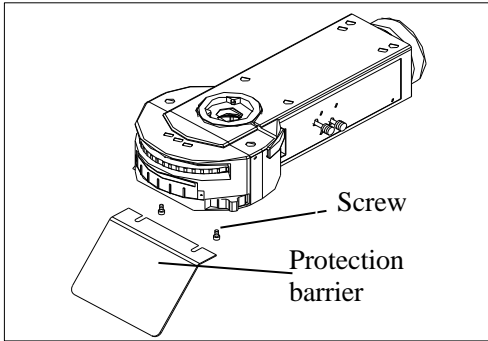


Fig 5

## 2.4 Mounting Protection Barrier (fig.5)

Install the protection barrier on the attachment by tightening the screw.

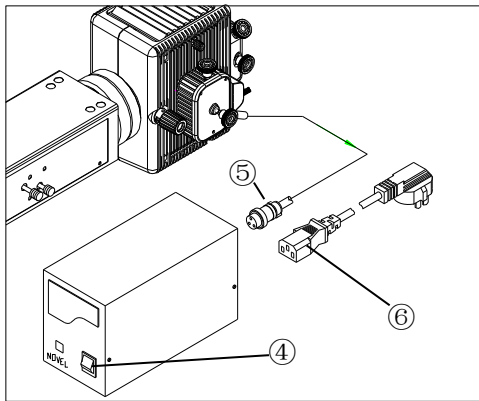


Fig 6

## 2.5 Assembly of the Fluorescent Attachment (fig.6)

Mount the lamp housing (1) into the other end of the attachment (2) and fix it with two screws (3).

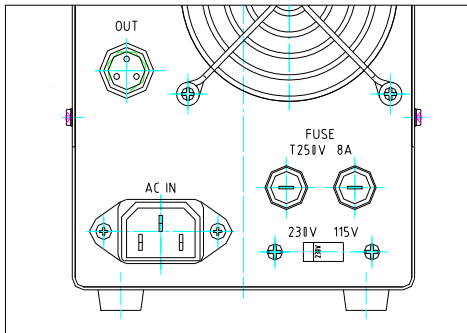


Fig 7

## 2.6 Cable and Cord Connections (fig.6, fig. 7)

1. Make sure that the main switch (4) of the power supply is set to "O" (OFF) before connecting cables.
  2. Plug the connector (5) from the burner socket securely into the connector on the power supply unit and make sure the cord is correctly connected.
  3. Connect the power cord connector (6) into connector on the power supply unit and make sure the cord is correctly connected.
- It is better to use the power cord provided and the same type power cord should be used if you lose or damage the old one.

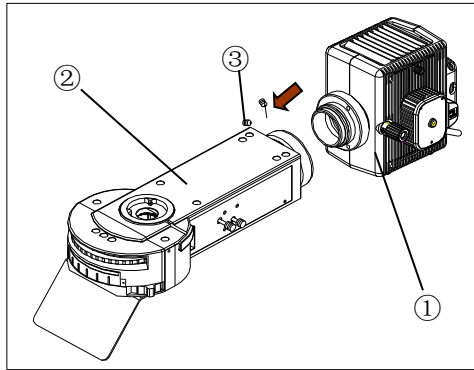


Fig 8

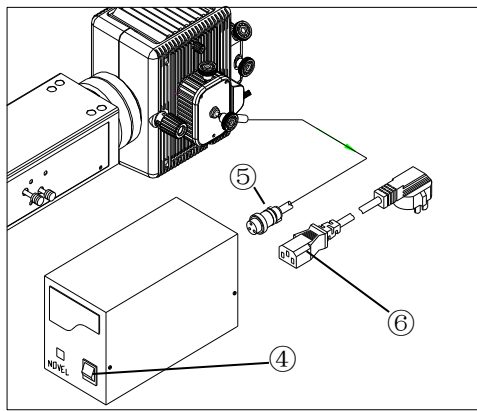


Fig 9

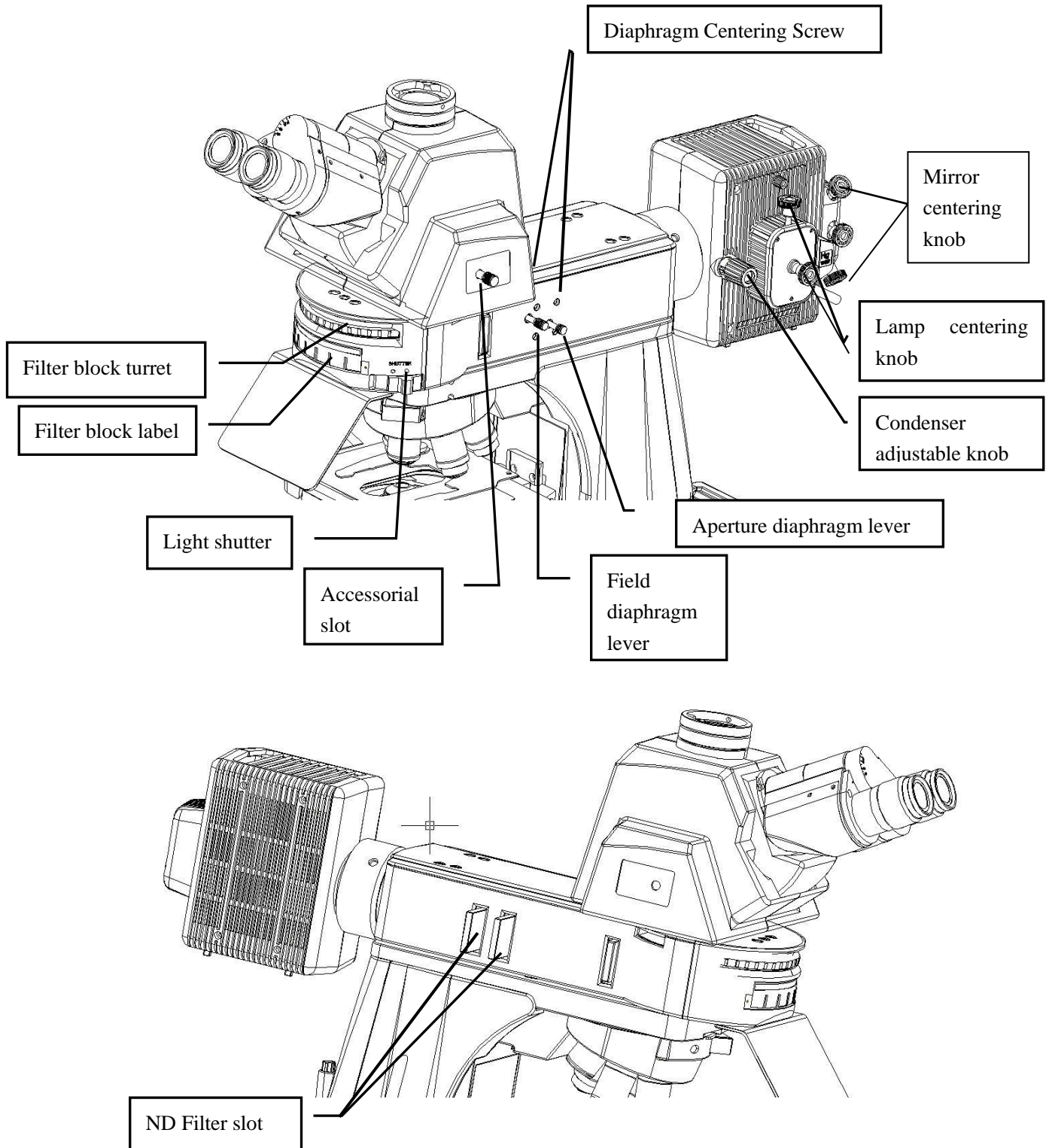
## 2.7 Fuse Replacement

(fig.8 ,fig. 9)

- 1 Set the main switch (4) to "O" (OFF) and unplug the power cord before replacing fuses.
- 2 Using a flat-blade screwdriver, remove each of the fuses holders (7) by tuning it counter-clockwise and pulling out.
- 3 Replace both fuses with new ones.
  - There are two fuses provided (5A). And make sure the voltage of the fuse matches the voltage of the AC mains outlet.

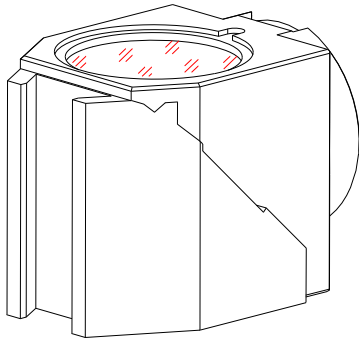
# 3. Adjustment and Operation

## 3.1 Name of Components





Fluorescent mirror block

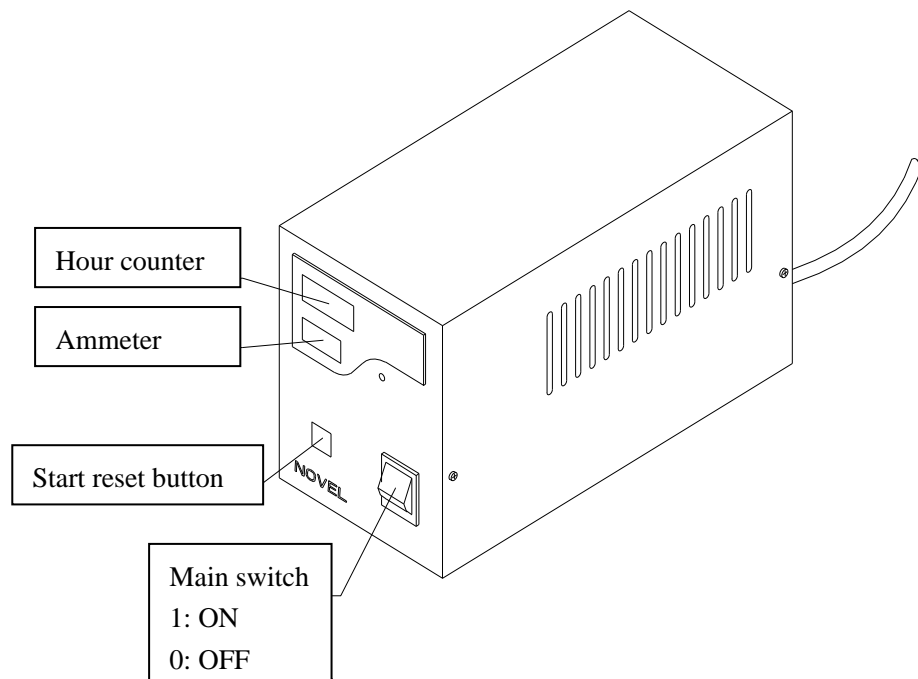


◎ There are 6 fluorescent mirror blocks (filter block) mounted in the filter block turret at the most.

● a mirror block includes a diachronic mirror, a barrier filter, an excitation filter. (There are kinds of excitation filters). Don't take apart the filter block.

◎ This epi-fluorescent attachment has two kinds of excitation filter blocks attached. (B-excitation and G-excitation). If you need other kinds of filter block, you have to purchase it separately.

Power Supply Unit (for 100w mercury) lamp)



## 3.2 Operation

### 3.2.1 Preparation

1. Verify that the voltage and the frequency of the AC mains outlet match the setting of the voltage switch and the frequency switch on the rear of the power supply units.
2. Make sure the cord is connected firmly.
3. When transmitted light observation is required, pull out the filter system and make the hole in the light path.
4. Adjust the field diaphragm to match the field edge. If it not centered, use the hexangular wrench to adjust the screw.
5. Be sure to use immersion oil when using fluorescent free objectives.
6. When it is required to interrupt observation for a short period, use the shield in the accessorial excitation filter part. (Repeated on-off of the mercury lamp will shorten its service life considerably)
7. Precautions on the specimen color fading:

The system employs high-intensity excitation light to enable bright observation of dark fluorescent specimens. As a result, if high-power objectives are used frequently, color fading of the specimen occurs early, degrading the view (contrast) of fluorescent images. So it is effective to use the shutter frequently to avoid illuminating the specimen for a longer period than required.

ND filter and small aperture diaphragm can help weaken the intensity of the excitation light. Also, it is useful to use light shutter to reduce the specimen color fading.

Color fading of the specimen can also be delayed using commercially available color fading preventing agent (DABCO, etc). The use of color fading preventing agent is recommended when you perform high-magnification observation frequently.

**★ Note that color fading preventing agent cannot be used with certain specimens**

### 3.2.2 Selecting Fluorescent Filter Combination

Select fluorescent filters combination according to the fluorescent dye you use.

Excitation	Diachronic Mirror	Excitation Filter	Barrier Filter	Application
U	DM400	BP330-385	BA420	·Auto-fluorescence observation ·DAPI: DNA ·Hoechst 332528, 33342: Chromosome
V	DM455	BP400-410	BA455	·Catecholamines ·5-hydroxy tryptamine ·Tetracycline: Skeleton: Teeth
B	DM500	BP460-490	BA520	·FITC: Fluorescent antibody method ·Acidine orange: DNA, RNA
B1	DM505	BP510-550	BA590	·Auramine: Tubercle bacillus ·EGFP, S65T, RSGFP
G	DM570	BP510-550	BA590	·Rhodamine, TRITC: Fluorescent antibody method ·Propidium iodide: DNA ·RFP

### 3.2.3 Switching on Electrical Source

Set the main switch of the power supply unit to “1” (ON). It will stabilize in 5 to 10 minutes after ignition.

◎ Some mercury burners may not ignite the first time the power is turned on due to variance in production, and the safety mechanism in the starter in such a case. If this occurs, set the main switch to “1” (ON), then press the starter reset switch on the front panel of the power supply and between 1 to 4 seconds are required for igniting the burner. Repeat as necessary.

◎ To avoid shortening the burner life, do not turn the burner off within 15 minutes after ignition.

● After closing mercury burners, please don't start up until the mercury vapor cool at least 30 minutes to liquidation.

◎ The burner cannot be re-ignited for about 10 minutes, that is, until the mercury vapor inside it has cooled down and condensed to liquid.

● Ensure that the hour counter is reset to “000.00” after replacement of the burner. And you can insert a thin object such as a mechanical pencil tip into the reset hole on the front panel of the power supply unit to press the internal switch.

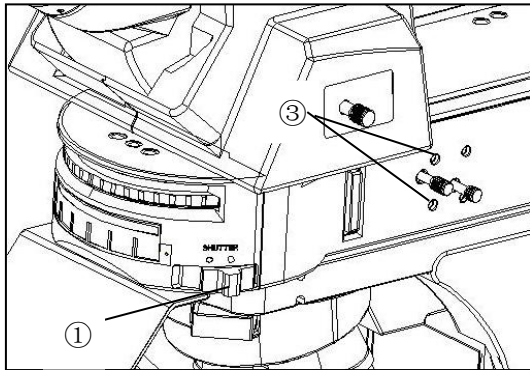


Fig 1

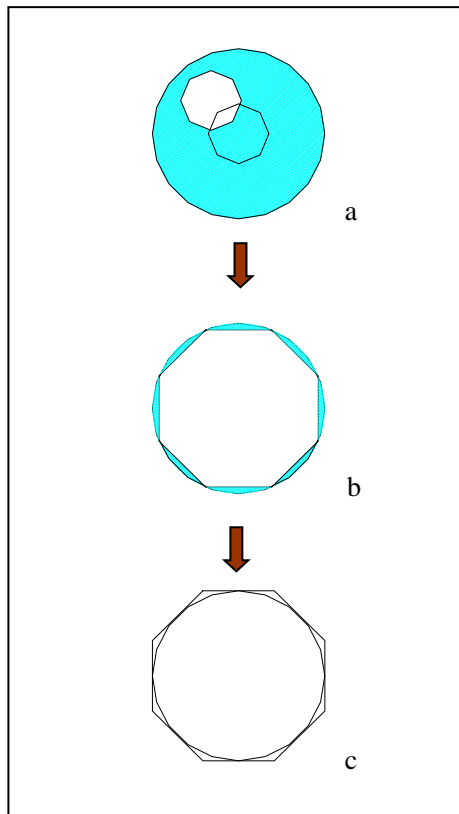


Fig 2

### 3.2.4 Centering the Field Iris Diaphragm

(fig.1)

1. Switch the light shutter ① to “●” position.
2. Revolve filter block turret to engage the B-excitation mirror in the light path.
3. Switch the light shutter ① to “O” position.
4. Engage the 10× objective in the light path, and place the specimen on the stage and bring into approximate focus.
5. Pull the field iris diaphragm lever ② out until the diaphragm comes into the smallest state.
6. Use the hexagonal wrench to adjust the two field iris diaphragm centering screws alternately to move the image of the diaphragm to the center. (Fig.2 show the adjustment of diaphragm)
7. Push in the field diaphragm lever to open the diaphragm. As this makes slight deviation noticeable, adjust the centering precisely.
8. Enlarge the diaphragm until it just circumscribes the field of view.

#### Adjusting the field iris diaphragm (fig.2)

The field diaphragm adjusts the diameter of the illuminating beam to obtain good image contrast. Keeping the field diaphragm stopped down to the smallest required area for each observation makes it possible to prevent color fading of areas outside the



observation target region.

According to the objective in use, adjust the diaphragm image using the field diaphragm lever so that the field of view is circumscribed by the field diaphragm to exclude stray light.

### 3.2.5 Centering the Aperture Iris

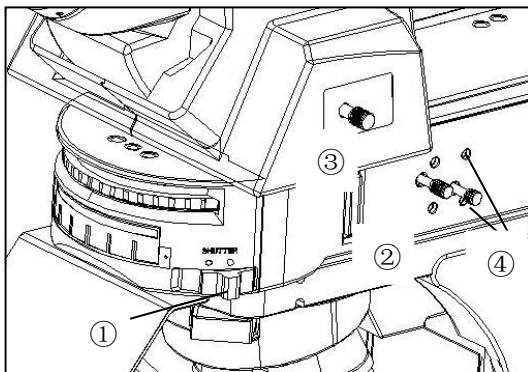



Fig 3

#### Diaphragm

(fig3)

1. Switch the light shutter ① to “●” position to shut off the light path.
2. Revolve the filter block turret to engage the G-excitation mirror block or another into the light path.
3. Switch the light shutter ① to “O” position to open the light path.
4. Engage the 10×objective in the light path, and place the centering plate (a white plate with a cross) on the stage and bring into approximate focus.
5. Move the cross of the centering plate to the center of the field of view.
6. Remove any of objectives from the light path.
7. Pull out the aperture diaphragm lever ② to adjust the aperture iris diaphragm to the smallest diameter.
8. Pull out the field iris diaphragm lever ③ to adjust the field iris diaphragm to the smallest diameter. The image of aperture iris diaphragm can be found on the centering plate.

- 
- 9 . Adjust the aperture iris diaphragm centering screws④ with attached wrench to superpose the image of aperture iris diaphragm on the cross of centering plate.

**Adjusting the aperture iris diaphragm (fig.3)**

The aperture iris diaphragm adjusts image resolution and contrast.

For fluorescent observation, push in the aperture iris diaphragm lever③.

Both ND filter and small aperture diaphragm can help weaken the intensity of the excitation light to delay color fading of the specimen

According to the objective in use, adjust the diaphragm image using the field iris diaphragm lever③ so that the field of view is circumscribed by the field iris diaphragm to exclude stray light.

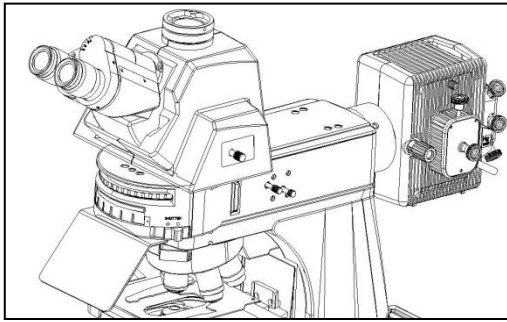
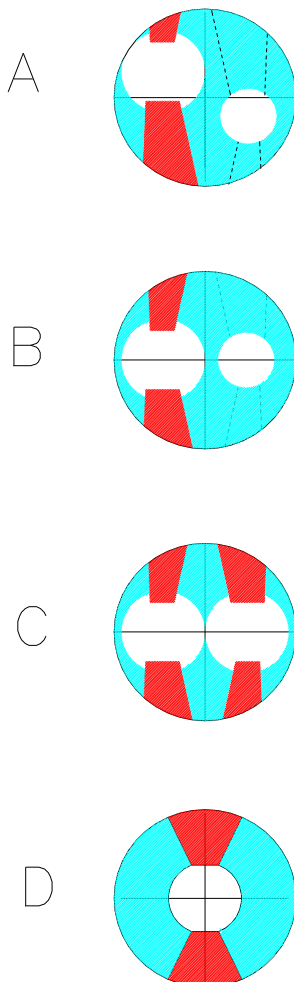


Fig 4



### 3.2.6 Centering the Mercury Burner

(fig.4, fig.6)

⊙ Before proceeding to center the burner, wait for the arc image to stabilize to protect against glare during arc image centering, it should be viewed across the excitation light protective shield.

1. Switch the light shutter ① to “●” position to shut off the light path.
2. Revolve the filter block turret to engage the green or blue excitation filter block into the light path. If U/V excitation filter block used, be sure to use the protective shield.
3. Revolve the nosepiece to engage 10× objective into the light path. Place the centering plate on stage, through transmission observation; adjust the stage until the cross is in the centre of the field of view.
4. Remove the objective from the revolving nosepiece position and engage this position in the light path.
5. Pull out the field iris diaphragm lever ② to close the iris diaphragm and push in the aperture iris diaphragm lever ③ to open the iris diaphragm to the large limit.
6. Switch the light shutter ① to “O” position to open the light path.
7. Turn the collector adjusting knob ④ to project the arc image on the centering plate and sharpen it.(A)
8. Revolve the burner adjusting knob ⑤ to move the



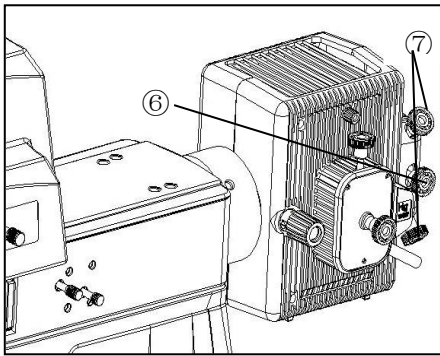


Fig 5

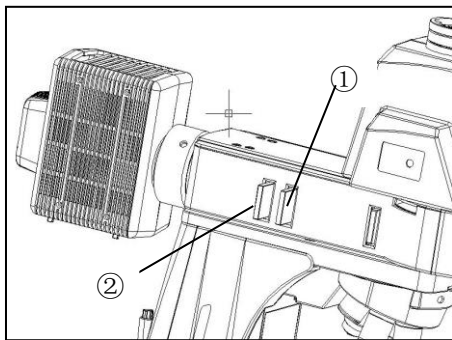


Fig 6

are image and the mirror reflected arc image in the symmetrical position.(B)

9. Adjust the mirror focusing knob (6) (Fig.6) to sharpen the mirror reflected arc image. (C)
10. Turn the burner adjusting knob (5) to overlap the are image with the mirror reflected are image. (D)

- ☉ Turn the collector adjusting knob (4) to make the field of view as bright as regular as possible..
- ☉ Maintain this condition until the next time the burner is replaced.

**Centering the mirror reflected image (fig.6)**

★ The mirror reflected image has been centered before leaving the factory. Do not adjust the knob (7) please if not necessary. Only when the burner has been centered precisely, can the knob (7) be adjusted.

★ **Note: once the knob is adjusted, the reflected mirror cannot be reconverted to the status when leaving the factory.**

Knob control: (fig.6)

1. The middle knob (6) is the mirror reflected image focusing knob which can sharpen the reflected image.
2. The knobs at both sides (7) can adjust the up/down or left/right position of the mirror reflected image.

### 3.2.7 Mounting ND filter

(fig.7)

1. The ND filter can reduce the excitation light intensity to delay color fading of the specimen. Use the ND filter as far as this does not hinder observation.
2. There are two kinds of ND filters for option:ND6 and ND25 for position ① and ② respectively (fig.7). To prevent the ND filter from being cracked, insert the filter with the indication surface facing the observation side.
3. When the filter is inserted, there are two clicks heard. the filter is in the light path on the second click.

☆ **Note: When the mercury burner is lit for a long period while an ND filter is inserted, the filter and its metallic frame would become very hot. Take care not to burn yourself. When replacing the ND filter, be sure to wait until the ND filter cools down.**

- When the hour counter indicates "100.0", set the main switch to "o"( OFF) for safety, wait for more than 10 minutes, then replace the lamp burner after making sure that the lamp housing has cooled down..

A mercury burner seals high-pressure gas inside. If the burner is used beyond its service life, stress may accumulate inside the burner, and in the worst (but very rare) case, the burner could explode.

- After replacing with a new burner, reset the hour counter, be sure to press the reset switch until "000.00" is displayed. (fig.8)  
Some problems will happen in the using of the attachment, you could solve them according to the following list.

## 4. Troubleshooting Guide

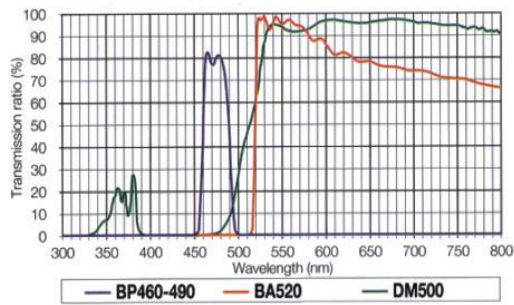
Under certain conditions, performance of the attachment may be adversely affected by factors other than defects. If problems occur, please review the following list and take remedial action as needed.

PROBLEMS	CAUSE	SOLUTION
<b>I. Optical Part</b>		
a) Although the mercury burner illumination is on, the field of view is invisible or dark.	The light shutter closes the light path	Switch the light shutter to "o" position
	The ND filter is engaged in the light path.	Pull out ND filter to open the position
	The fluorescent mirror block is improperly engaged in the light path	Engage it properly
	The aperture iris diaphragm and field iris diaphragm are not open enough	Open the aperture iris diaphragm fully; adjust the field iris diaphragm to circumscribes the field of view
b) Visibility is poor. Image is not sharp. Contrast is poor.	The objective or filter is dirty	Clean them thoroughly
	The aperture iris diaphragm and field iris diaphragm are adjusted improperly	Open these iris diaphragms fully
	The fluorescent mirror block is not proper for the specimen	Use proper mirror block
c) The edge of the field of view is obscured or not evenly illuminated	The objective is improperly engaged in the light path	Make sure the nosepiece clicks properly into place
	The fluorescent mirror block is improperly engaged in the light path	Engage it properly in the light path

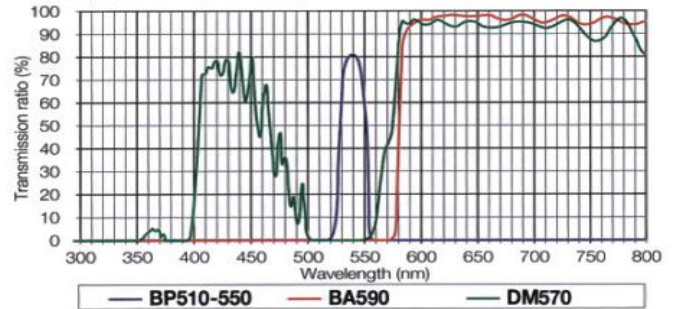
	The field of view doesn't open fully	Open it fully
	ND filter is stopped in halfway in the light path	Pull in the filter slider until it clicks into place
	The mercury burner is not centered.	Center it
	The collector focus position is not correct	Adjust it to an optimum position
d)Shadow exists in the field of view	The burner or collector is dusty or stained	Clean them thoroughly
<b>II . Electrical System</b>		
a) The main switch cannot supply power to the system	The power cord is connected improperly	Connect it properly
	A fuse is blown	Replace the fuses
b)The main switch can be set to ON but the burner doesn't ignite	The lamp housing connecting cord is connected improperly	Connect it properly to the connectors
	The mercury burner is not mounted	Attach a mercury burner
	The auto ignition system is malfunctioning	Set the main switch of the power supply unit to OFF then on again. (Repeated ON-OFF is possible in this case)
c)The mercury burner flickers or the brightness is low	The phenomenon is observed in a short period after ignition	Wait for 10 minutes or more after ignition
	The burner life has expired	Replace the mercury burner

# 5. Characteristics of Mirror Block's Wave Length

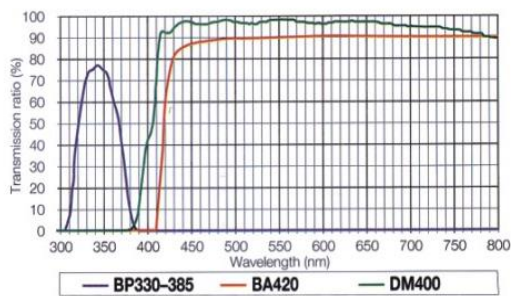
**Blue excitation**



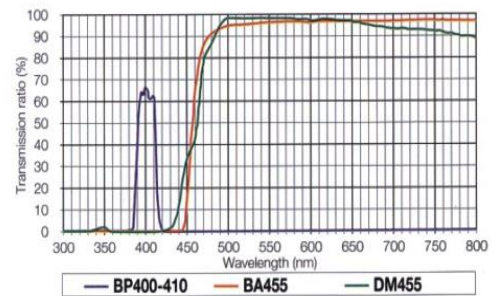
**Green excitation**



**Ultraviolet excitation**



**Violet excitation**



Epi-Fluorescent Illumination	Fluorescent Filter block	Excitation	Dichroic mirror	Barrier Filter	
	B Excitation	BP460~490	DM500	BA520	Standard
	G Excitation	BP510~550	DM570	BA590	Standard
	U Excitation	BP330~385	DM400	BA420	Optional
	V Excitation	BP400~410	DM455	BA455	Optional
Lamp	100W GCQ Ultra Hi-voltage Spherical Mercury Lamp				Standard
Protection Barrier	Barrier to Resist the Ultraviolet Light				Standard
Power Supplier	Power supplier NFP-1, AC Input 220V/110V(Interchangeable ), Digital Display and Timer				Standard
Objective	Infinite Plan Fluorescence Free Objective 4X/0.13				Optional
	Infinite Plan Fluorescence Free Objective 10X/0.30				Optional
	Infinite Plan Fluorescence Free Objective 20X/0.50				Optional
	Infinite Plan Fluorescence Free Objective 40X/0.75				Optional
	Infinite Plan Fluorescence Free Objective 100X/1.30				Optional
Immersion Oil	Fluorescence Free Oil				Standard
ND filter	Neutral ND6/ND25 filter				Optional
Centering Plate					Optional
Reflected Illumination	Infinite optics system Filter block system (six block admitted) Aperture iris diaphragm and field iris diaphragm Light shutter B and G Excitation				Standard Standard Standard Standard Standard
	Observation Methods: 1. Fluorescence 2. Transmitted Light				Standard Standard
Mercury Lamp Housing	<ul style="list-style-type: none"> <li>●Mercury lamp housing 100w</li> <li>●Mercury Burner GCQ100</li> </ul>				Standard Standard
Operating Environment	<ul style="list-style-type: none"> <li>●Indoor Use</li> <li>●Altitude: Max. 2000m</li> <li>●Ambient Temperature: 5°C to 40°C (41°F to 104°F)</li> <li>●Maximum Relative Humidity :80% for Temperature Up to 31°C (88°F) Decreasing linearly through 70% at 34°C (93°F), 60 % at 37°C (99°F) to 50% relative humidity at 40°C (104°F)</li> <li>●Main supply voltage fluctuations not to exceed ±10% of the nominal voltage</li> <li>●Pollution Degree 2 (in accordance with IEC 664)</li> <li>●Installation/ Over voltage Category II (in accordance with IEC 664)</li> </ul>				